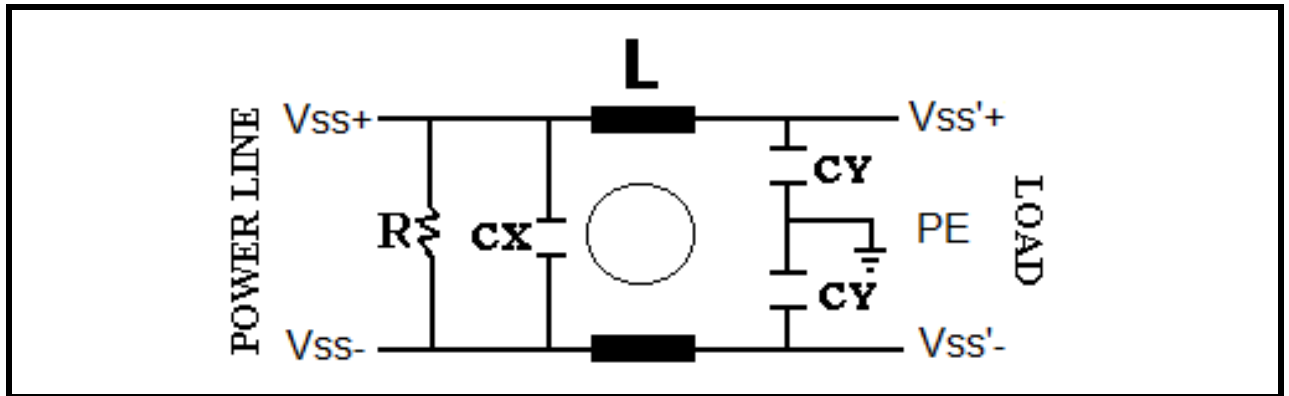


EMC 單相直流電源雜訊抑制濾波器

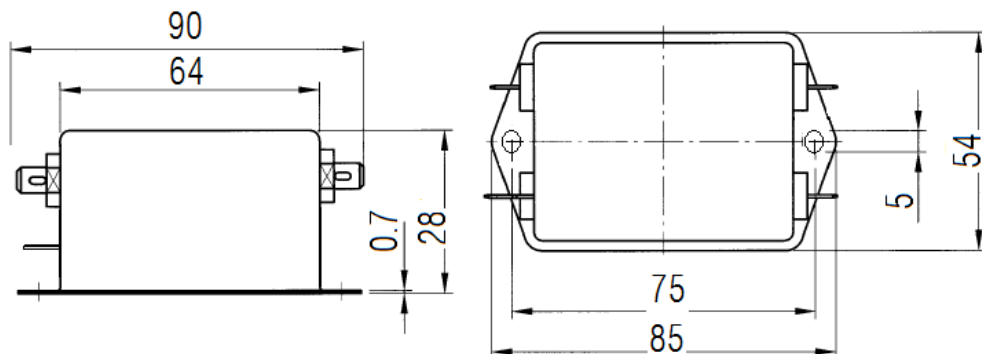
EMC –Power Line Filter for DC systems (one-stage)

MODER ITEM	HUA-9010-DC103-TD	HUA-9010-DC106-TD
RATED VOLTAGE	0~80VDC	0~80VDC
RATED CURRENT	1× 3A	1× 6A
LEAK CURRENT	≤0.5mA MAX 80VDC	≤0.5mA MAX 80VDC
V _{ss+} TO V _{ss-}	1.7KVDC,2sec	1.7KVDC,2sec
V _{ss+} /V _{ss-} TO PE	2.25KVDC,2sec	2.25KVDC,2sec
INSULATION RESISTANCE	100MΩ MIN 250VAC	100MΩ MIN 250VAC
DIRECT CURRENT RESISTANCE	24mΩ MAX	23mΩ MAX
OPERTING TEMPERATURE	-25℃ ~ +100℃	-25℃ ~ +100℃

Circuit diagram



Dimension(mm)

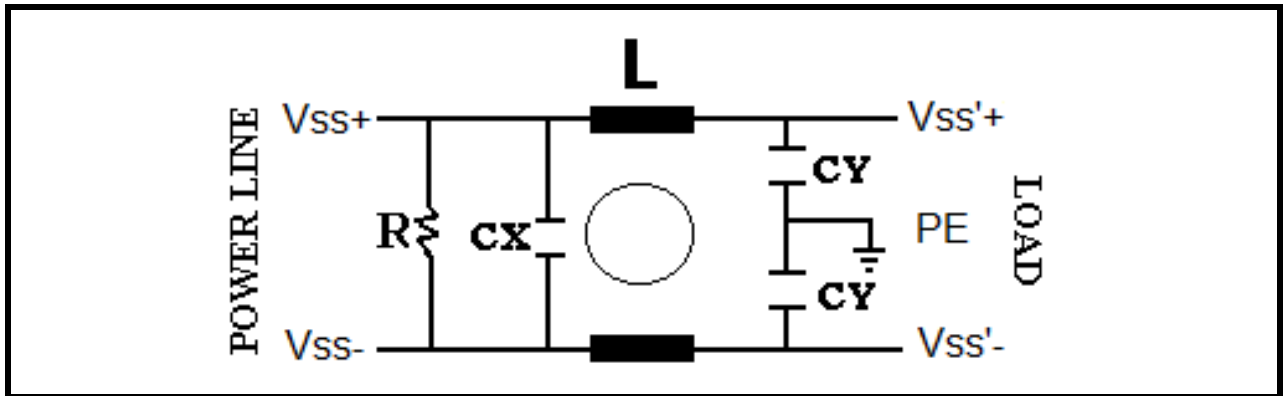


EMC 單相直流電源雜訊抑制濾波器

EMC –Power Line Filter for DC systems (one-stage)

MODER ITEM	HUA-9010-DC110-TD	HUA-9010-DC120-TD
RATED VOLTAGE	0~80VDC	0~80VDC
RATED CURRENT	1× 10A	1× 20A
LEAK CURRENT	≤0.5mA MAX 80VDC	≤0.5mA MAX 80VDC
V _{ss+} TO V _{ss-}	1.7KVDC,2sec	1.7KVDC,2sec
V _{ss+} /V _{ss-} TO PE	2.25KVDC,2sec	2.25KVDC,2sec
INSULATION RESISTANCE	100MΩ MIN 250VAC	100MΩ MIN 250VAC
DIRECT CURRENT RESISTANCE	14.2mΩ MAX	5.8mΩ MAX
OPERTING TEMPERATURE	-25℃ ~ +100℃	-25℃ ~ +100℃

Circuit diagram



Dimension(mm)

