

EMC 歐規低價格-汎用型三相四線式電源雜訊抑制濾波器(單π迴路)

EMC-RFI Suppression Filters for 3-phase+neutral systems (one-stage) EURO

HUA Series, all-purpose filters to Protection Class 1

0~250VAC 50/60HZ θ a 40°C EN55011 Class A

CE

CONFORMS
TO IEC 60 950
UL 1283
EN 133200

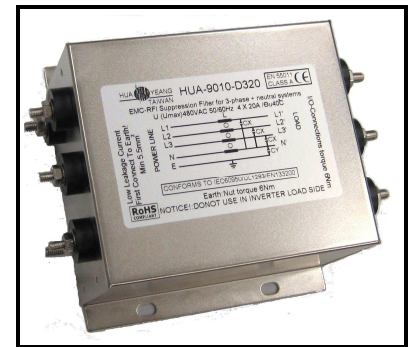
This series of single-phase power supply filter is Europe's electricity system has a N-phase power supply, Universal three-phase four-wire power supply filters, both can be used to power the system can also be used Y and DELTA system on three balanced and unbalanced load are valid . wide range of applications, low prices.

本系列單相電源濾波器是歐洲電力系統有N相電源(3P+N+E),汎用型三相四線式電源濾波器,既可以用於電源 Y 系統也可以用於△系統對三相平衡與不平衡負載均有效,應用範圍廣泛,價格低廉.

SPECIFICATION

Test Voltage (1 min) :L to E 1500VAC/2250VDC
L to L 1500VDC

Insulation Resistance : L to E ≥3000MΩ
L to L ≥2000MΩ



Current reduction above 40°C ambient temperature: $I = I_n \sqrt{(85-\theta)/45}$

θ = operating temperature

TYPE	In @δa40°C [A]	Umax 50/60Hz [v]	Overload Current	Resistance L-L' ±15% [mΩ]	Power Dissipation total±15% [W]	Max. leakage current @250v/60hz		Temperat ure Rise °C	Temperature Range °C	Fig
						In 1-phase system [mA]	Worst Case [mA]			
HUA-9010-D303-□	4×3	480	1.5×In 1 min. per hour	15.5	0.139	≤0.5	3	≤30	-25~+85	A/B
HUA-9010-D306-□	4×6			14.5	0.522		3	≤30	-25~+85	A/B
HUA-9010-D310-□	4×10			8.32	0.832		3	≤30	-25~+85	A/B
HUA-9010-D320-□	4×20			3.3	1.32		3	≤30	-25~+85	A/B
HUA-9010-D330-□	4×30			2.1	1.89		3	≤30	-25~+85	A/B
HUA-9020-D340-□	4×40			2	3.2		3	≤30	-25~+85	A/B
HUA-9020-D350-□	4×50			1.5	3.75		3	≤30	-25~+85	A/B

超小型 TD3 系列

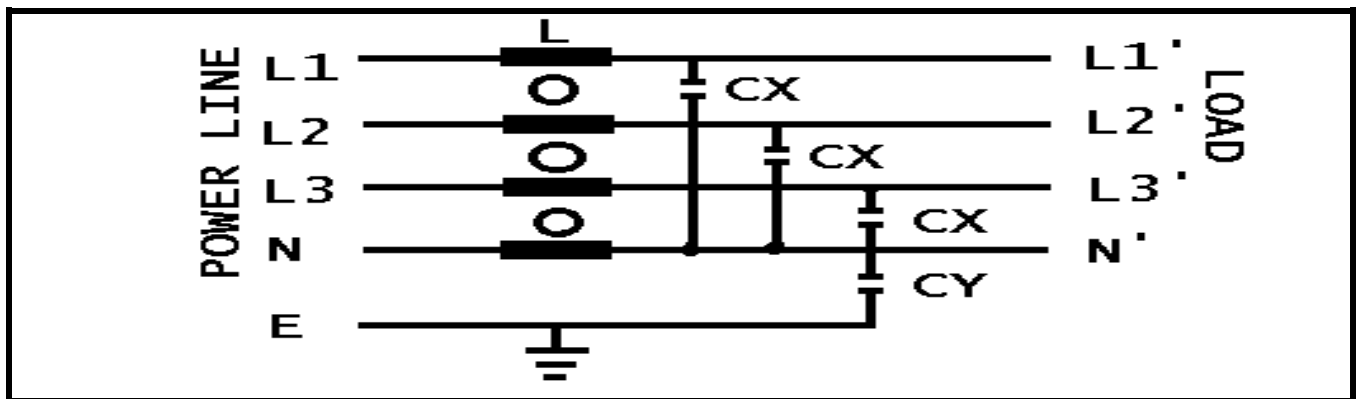
TYPE	In @ $\delta a 40^{\circ}C$ [A]	Umax 50/60Hz [v]	Overload Current 1.5×In 1 min. per hour	Resistance L-L' ±15% [mΩ]	Power Dissipation total±15% [W]	Max. leakage current @250v/60hz		Temperat ure Rise °C	Temperature Range °C	Fig
						In 1-phase system [mA]	Worst Case [mA]			
HUA-9010-D303- TD3	4×3	250	1.5×In 1 min. per hour	24	0.216	≤0.5	3	≤30	-25~+85	C
HUA-9010-D306- TD3	4×6			23	0.828		3	≤30	-25~+85	C
HUA-9010-D310- TD3	4×10			8.32	0.832		3	≤30	-25~+85	C
HUA-9010-D320- TD3	4×20			6.3	2.52		3	≤30	-25~+85	C

Order Types (訂購型號說明)

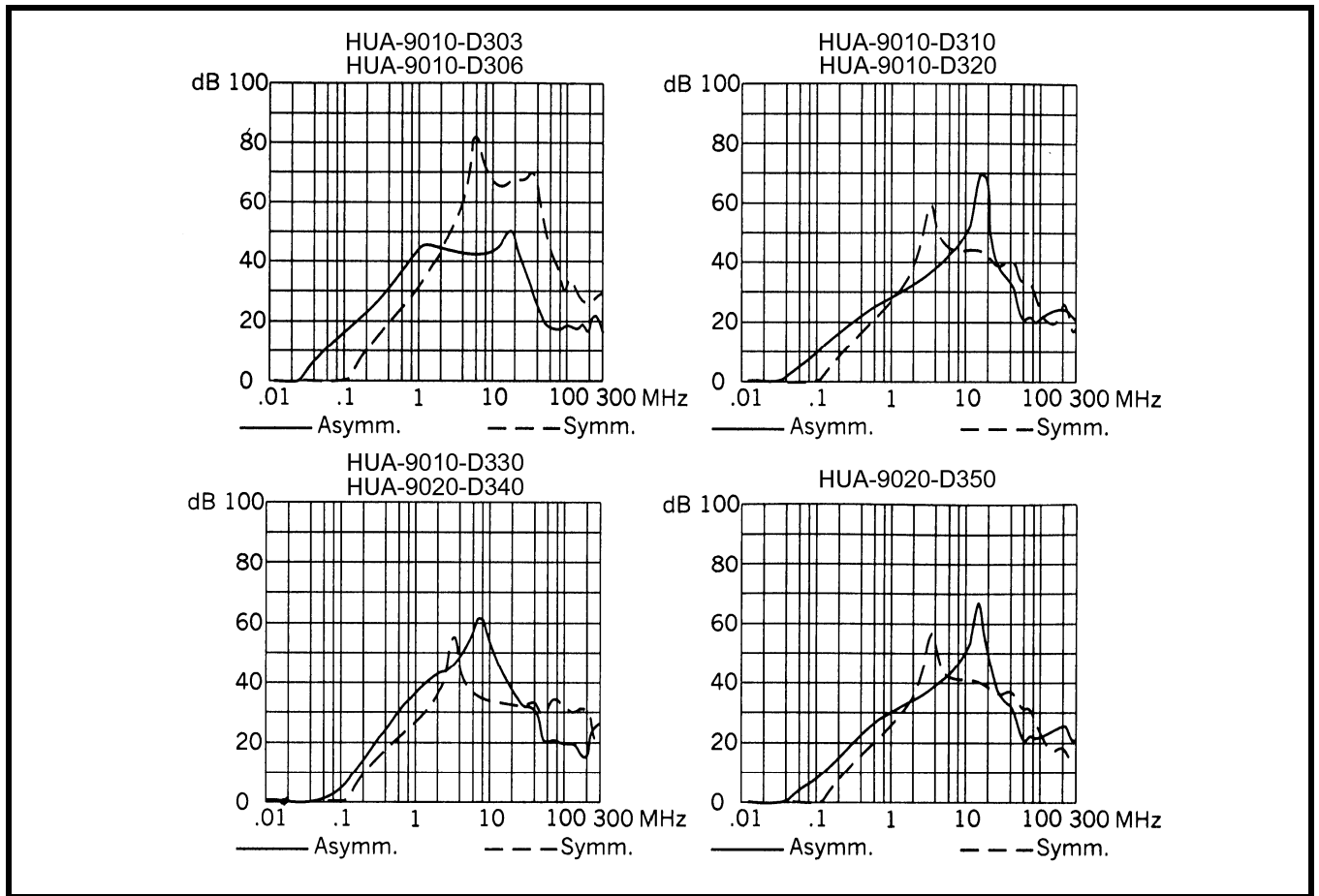
型號:HUA - 9010-D3□- □

- 無: 螺絲出線 (附圖 A)
- E: 歐規端子台出線 (附圖 B)
- TD3: (超小型)T-250 端子出線(附圖 C)
- 10:表示 10A 額定電流
- 50:表示 50A 額定電流

Circuit Diagram(電路圖)



Insertion loss (衰減值)



Dimension(mm) 外殼形式

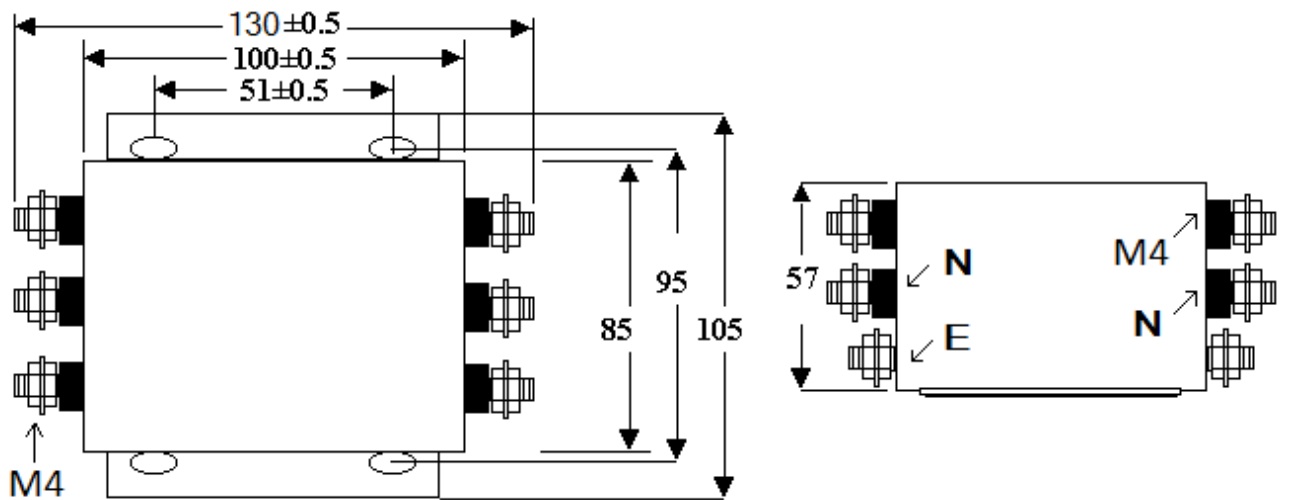


圖 A

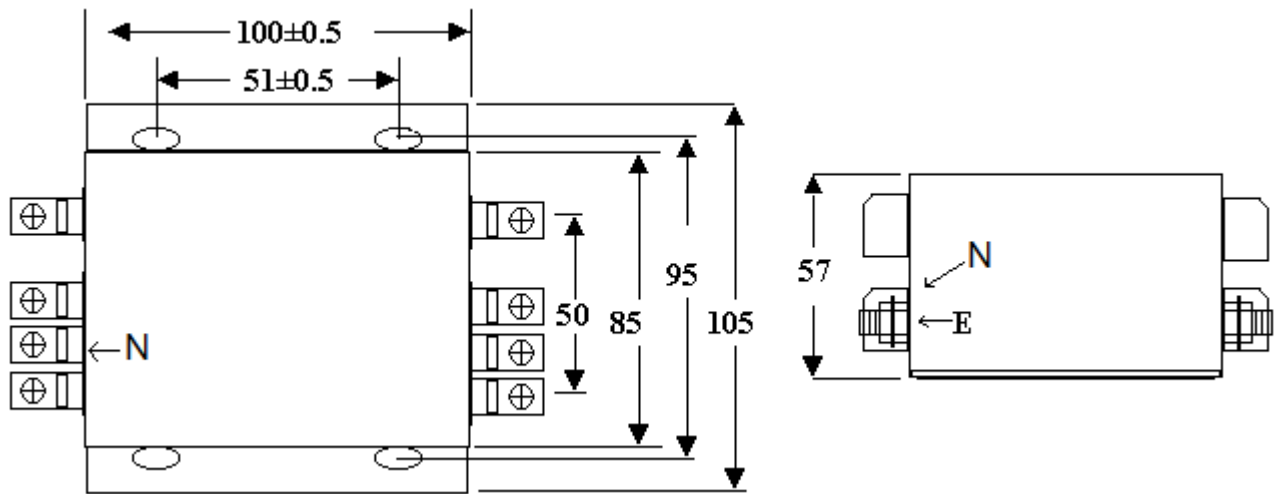


圖 B

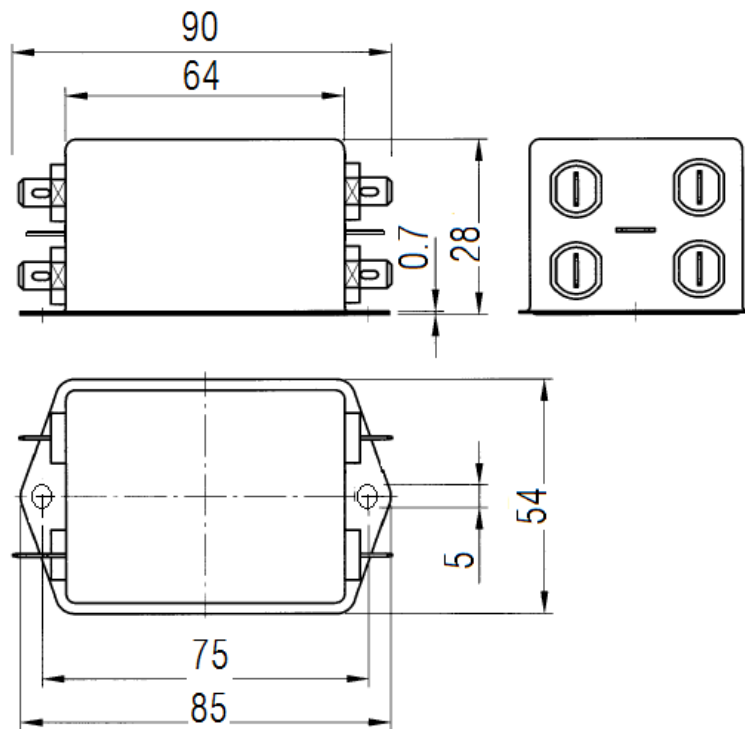


圖 C