

HUA 單相(開關+插座+FUSE)電源雜訊抑制濾波器

EMC-RFI Suppression Filters 1-phase systems

HUA Series, all-purpose filters to Protection Class I .

0~250VAC 50/60HZ θ_a 40°C

EN55011 CLASS A / CISPR22 CLASS B / EN 60950

<p>CONFORMS TO IEC 60 950 UL 1283 EN 133200</p>

CE

COMBI-FILTER 1-stage with 2-pole switch, drawer for 1 fuse 5x20 mm ,connector conforms to IEC 60320-1/C14.

The SFP series of filters to meet stringent power modern electronic equipment and instrumentation requirements of machine design and manufacturing, with high attenuation of a very broad frequency range.

本 SFP 系列電源濾波器符合嚴格現代化的電子設備和儀器儀表機器設計的要求和製造，具有高衰減的一個很廣泛的頻率範圍。

Specification

Test Voltage (1 min) :L to E 1500VAC/2250VDC

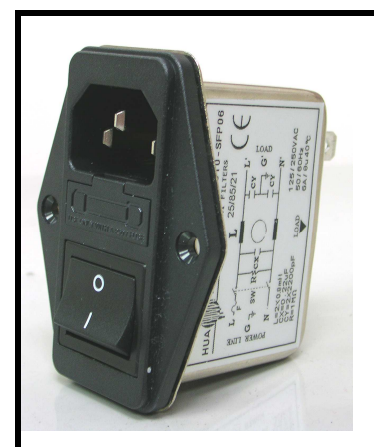
L to L 1500VDC

Insulation Resistance : L to E $\geq 3000M\Omega$

L to L $\geq 2000M\Omega$

Current reduction above 40°C ambient temperature: $I=I_n\sqrt{\theta}$

(85- θ)/45 θ = operating temperature



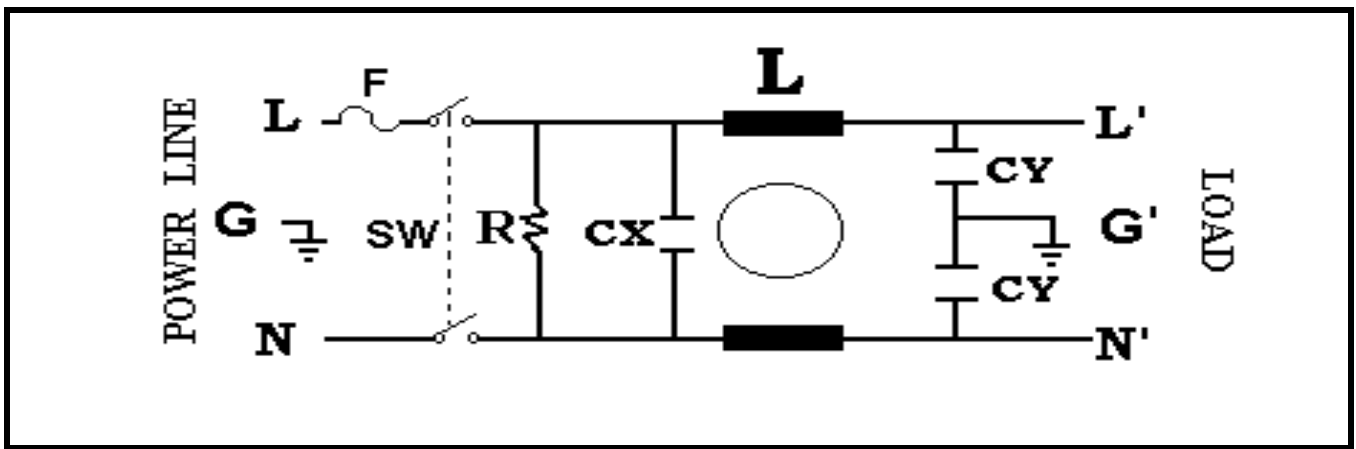
大開關 (Big Switch)

TYPE	In @ $\delta a 40^\circ C$ [A]	Umax 50/60Hz [v]	Overload Current	Resistance L-L' $\pm 15\%$ [m Ω]	Power Dissipation total $\pm 15\%$ [W]	Max. leakage current @250v/60hz [mA]	Temperature Rise °C	Temperature Range °C
HUA-9010-SFP01	1	0~250	1.5×In 1 min. per hour	100	0.1	≤ 5	≤ 30	-25~+85
HUA-9010-SFP03	3			100	0.9		≤ 30	-25~+85
HUA-9010-SFP06	6			100	3.6		≤ 30	-25~+85
HUA-9010-SFP10	10			100	10		≤ 30	-25~+85

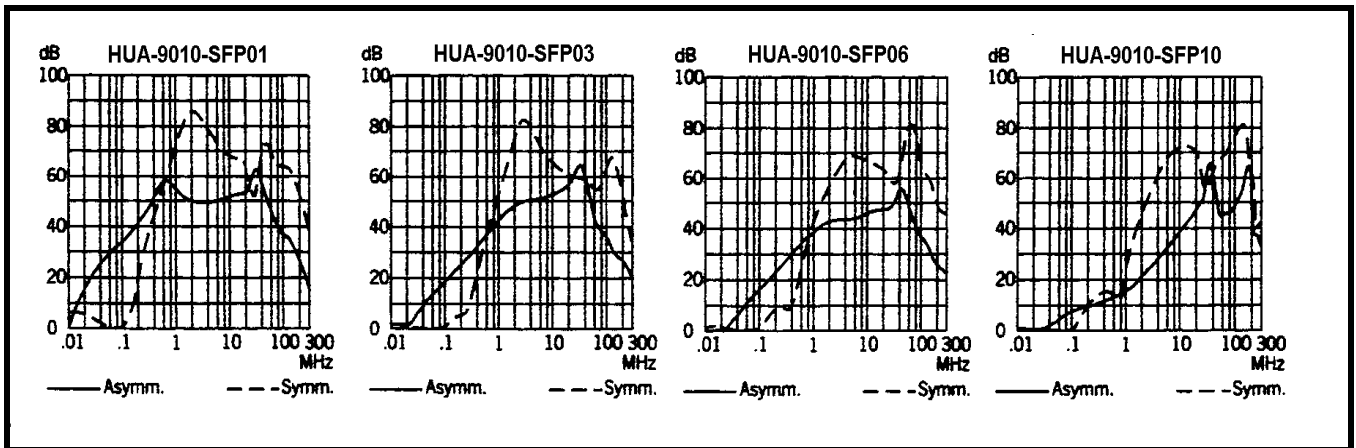
小開關 (Small Switch)

TYPE	In @ $\delta a 40^{\circ}\text{C}$ 〔A〕	Umax 50/60Hz 〔V〕	Overload Current	Resistance L-L' $\pm 15\%$ 〔m Ω 〕	Power Dissipation total $\pm 15\%$ 〔W〕	Max. leakage current @250v/60hz 〔mA〕	Temperature Rise $^{\circ}\text{C}$	Temperature Range $^{\circ}\text{C}$
HUA-9010-SFP01-A	1	0~250	1.5 \times In 1 min. per hour	100	0.1	≤ 5	≤ 30	-25~+85
HUA-9010-SFP03-A	3			100	0.9		≤ 30	-25~+85
HUA-9010-SFP06-A	6			100	3.6		≤ 30	-25~+85
HUA-9010-SFP10-A	10			100	10		≤ 30	-25~+85

Circuit Diagram



Insertion loss



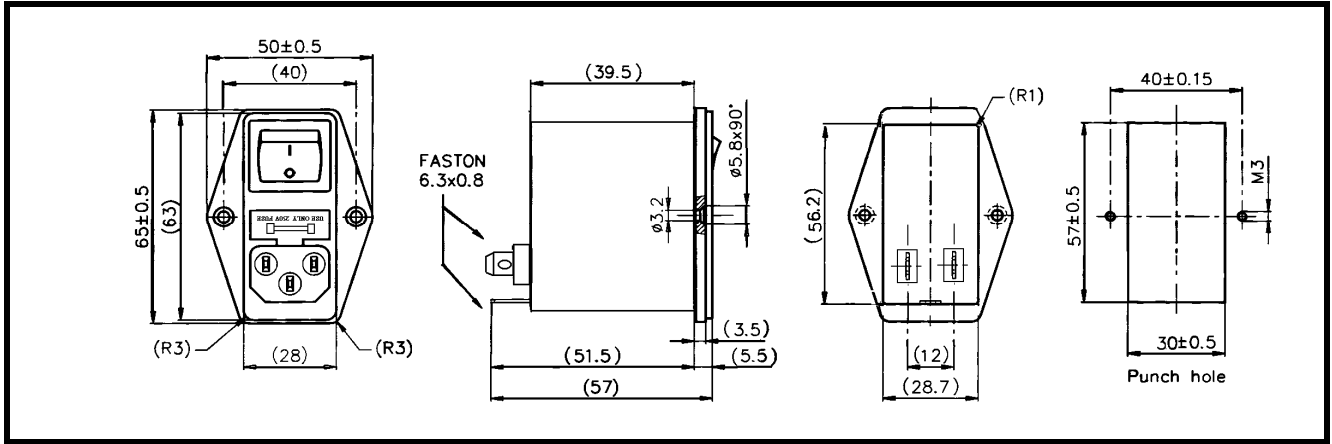
Order Types (訂購型號說明)

型號:HUA -9010-SFP -

- 無: 大開關
 - A: 小開關
- 06:表示 6A 額定電流
 - 10:表示 10A 額定電流

Dimension(mm)

大開關



小開關

