

# EMC 單相 DC 電源雜訊抑制濾波器 歐規(雙π 迴路)

## EMC –Power Line Filter for 1-phase systems (two-stage) for DC

HUA Series, all-purpose filters to Protection Class I .

0~250VDC 0 HZ θ a 40°C EN55011/CLASS A

**CE**

CONFORMS  
TO IEC 60 950  
UL 1283  
EN 133200

The DCL Series Power Filter in line with EN55011/ Class A and CISPR22 / Class B protection standards. Because of high symmetry attenuation losses , particularly suitable for use in the power quality requirements for a high DC power supply output power Whether it is generated by car or bus generator ripple DC power supply to the vehicle DC electrical appliances used to produce high harmonic interference ,The DCL series produced by the generator power filter ripple DC power supply filtering to filter out noise effects good.

本 DCL 系列電源濾波器符合 EN55011/ClassA 及 CISPR22/ ClassB 保護標準，由於其高對稱衰減損失，特別適合用在對於電源品質要求很高的 DC 電源供應器輸出電源，無論是汽車或巴士發電機所產生漣波 DC 直流電源給車內電器用品使用產生高諧波干擾，本 DCL 系列電源濾波器對發電機所產生漣波 DC 電源濾波皆有不錯的雜訊濾除效果。

### Specification

Test Voltage (1 min) :L to E 1500VAC/2250VDC

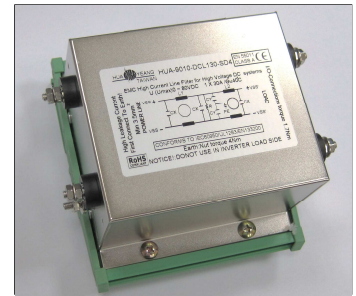
L to L 1500VDC

Insulation Resistance : L to E ≥ 3000MΩ

L to L ≥ 2000MΩ

Current reduction above 40°C

ambient temperature:  $I=I_n \sqrt{(85-\theta)/45}$  θ = operating temperature



### DC 電源濾波規格

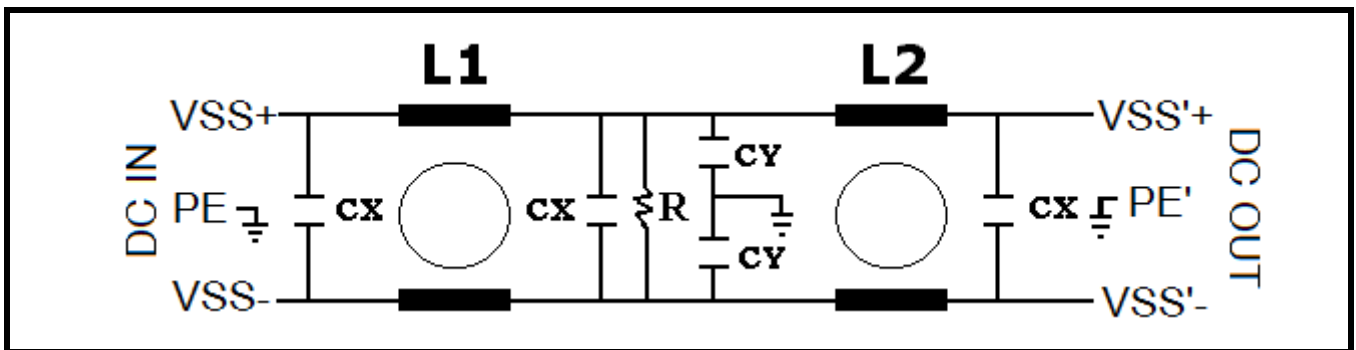
TYPE	In @δa40°C [ A ]	Umax 0Hz [ VDC ]	Overload Current	Resistance L-L' ±15% [ mΩ ]	Power Dissipation total±15% [ W ]	Max. leakage current @80v/ 0Hz [ mA ]	Temperature Rise °C	Temperature Range °C	Fig
HUA-9010-DCL110-SD4	10	250	1.5×In 1 min. per hour	14.2	1.42	≤ 5	≤ 30	-25 ~ +85	A
HUA-9010-DCL120-SD4	20			13	5.2		≤ 30	-25 ~ +85	A
HUA-9010-DCL130-SD4	30			11	9.9		≤ 30	-25 ~ +85	A
HUA-9010-DCL140-SD4	40			5	8		≤ 30	-25 ~ +85	B
HUA-9010-DCL150-SD4	50			3.6	9		≤ 30	-25 ~ +85	B

### Order Types (訂購型號說明)

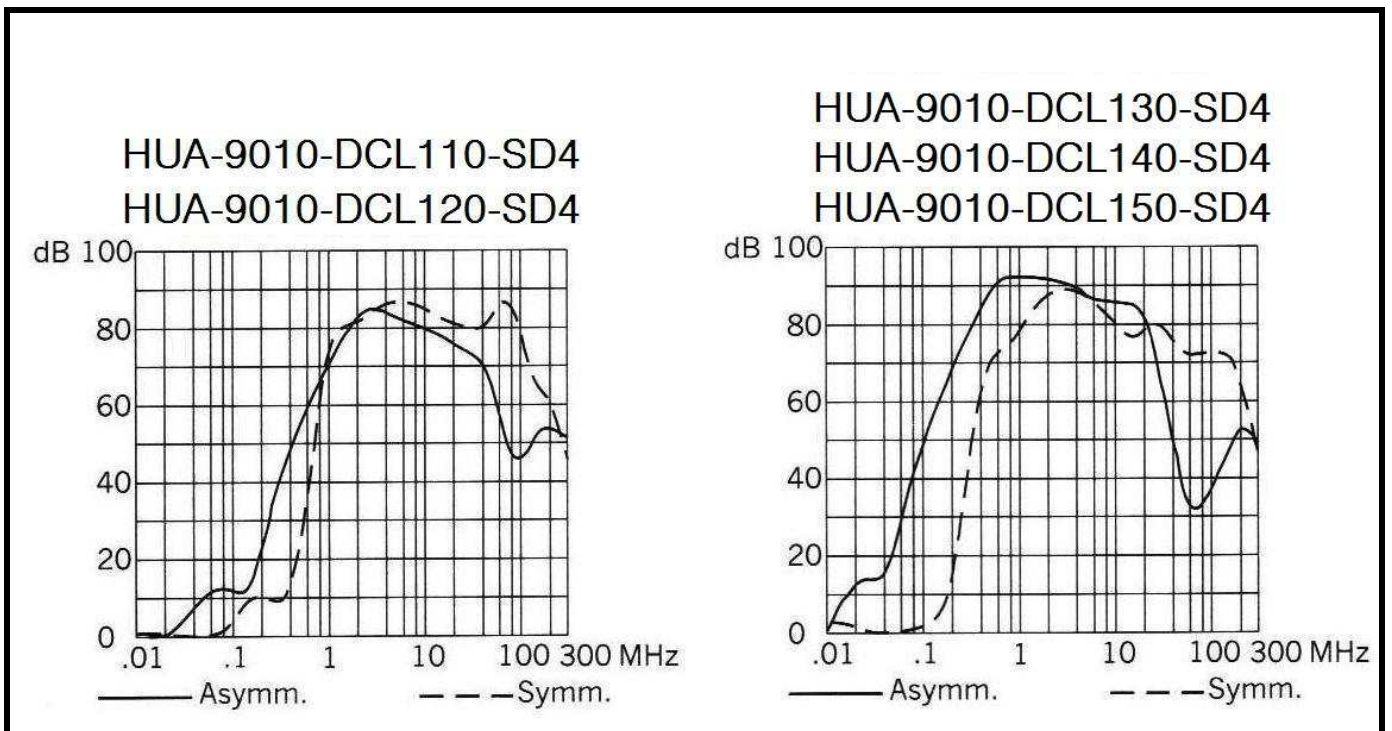
型號:HUA - 9010-DCL1□- SD4□

- ↳ 無: 螺絲出線 (附圖 A/B)
- ↳ E: 歐規端子台出線 (附圖)
- ↳ 10: 表示 10A 額定電流
- ↳ 50: 表示 50A 額定電流
- ↳ 表示 DC 歐規(雙π迴路)直流電源濾波器

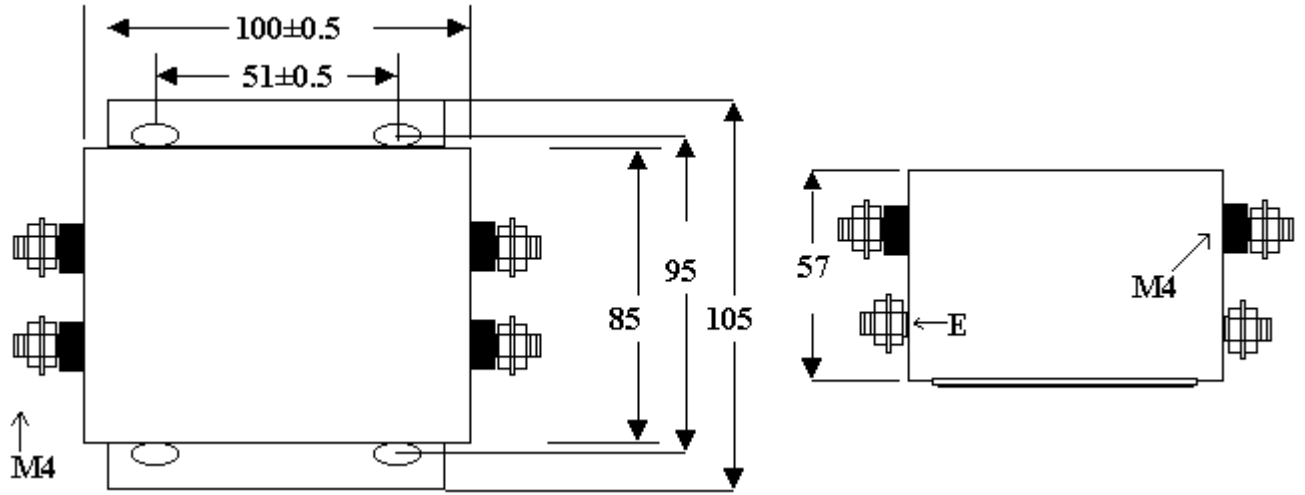
### Circuit Diagram(電路圖)



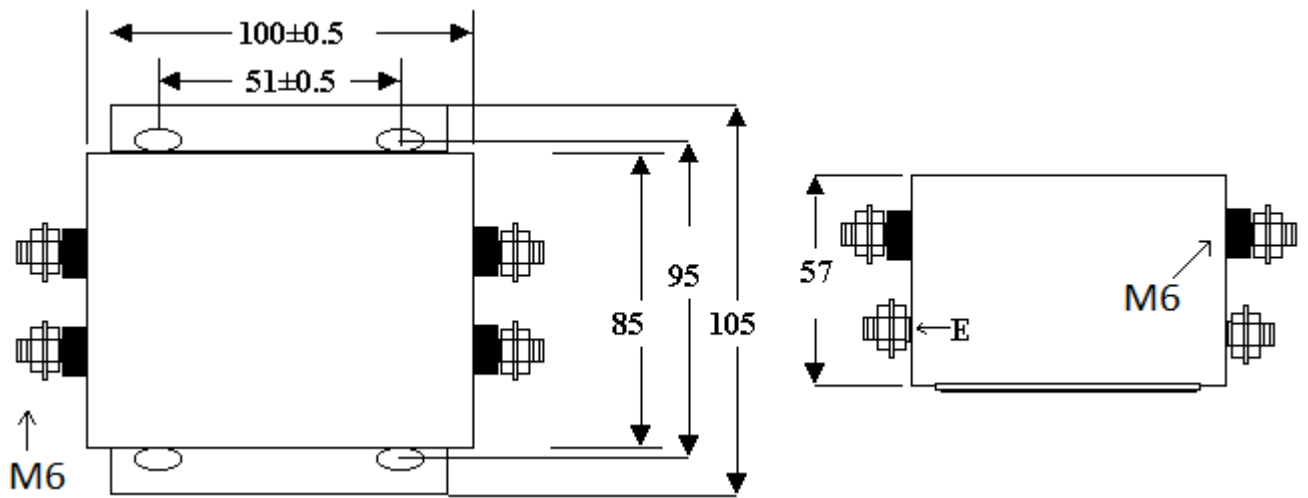
### Insertion loss (衰減值)



Dimension(mm) 外殼形式



A 圖 (10A ~ 30A)



B 圖 (40A ~ 50A)