

HUA 高性能三相電源雜訊抑制濾波器(雙π迴路) 變頻器專用

EMC-High Current Line Filters for 3-phase systems for INVERTER

2-stage all-purpose filters to protection Class I , with high symmetrical and asymmetrical insertion loss and low leakage current ,conform to EN133200 ,UL 1283 and IEC 60950

0~480VAC 50/60HZ θ_a 40°C EN55011 /CLASS A

CE

CONFORMS
TO IEC 60 950
UL 1283
EN 133200

The I3 series three-phase three-wire power filter, dedicated to industrial equipment frequency conversion device and VFD and power supply systems, especially suitable for inverter use generated interference suppression. Practical application of machinery and equipment on a very good filter interference effect. Very good results in the energy-saving equipment

I3 系列三相三線式電源濾波器，專用於工業設備變頻裝置和 VFD 以及電源供應系統中，尤其適用於變頻器所產生干擾抑制用。實際應用於機器設備上有非常不錯濾除干擾效果。使用於節能設備也有非常不錯效果

SPECIFICATION

Test Voltage (1 min) : L to E 1500VAC/2250VDC

L to L 1500VDC

Insulation Resistance : L to E $\geq 3000M\Omega$

L to L $\geq 2000M\Omega$

Current reduction above 40°C

ambient temperature: $I=I_n\sqrt{(85-\theta)/45}$

θ = operating temperature

濾波器/規格&型號&尺寸

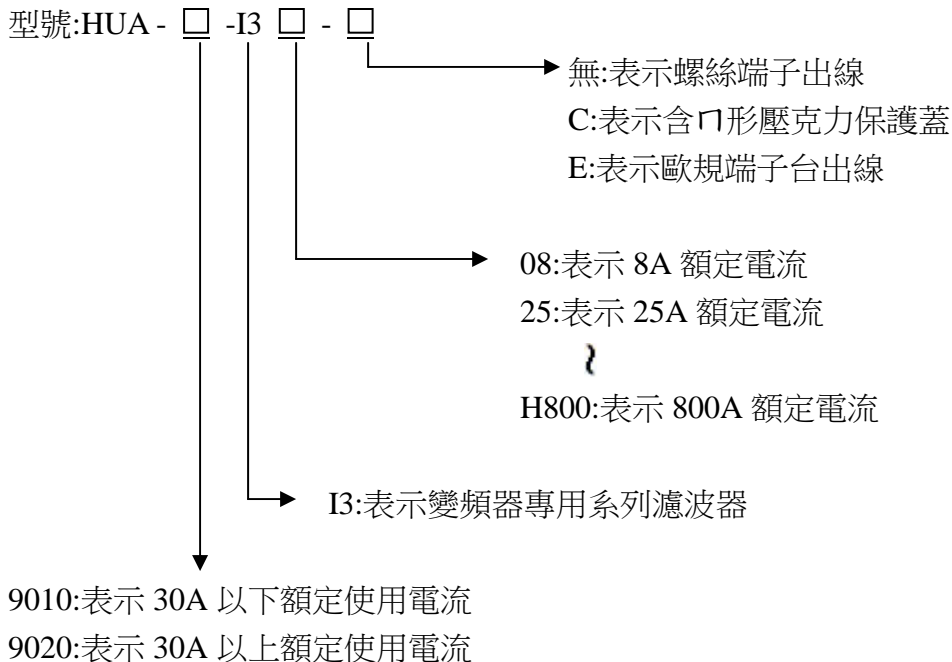


TYPE	In @ $\delta a 40^\circ C$ [A]	Umax 50/60Hz [v]	Overload Current	Resistance L-L' $\pm 15\%$ [m Ω]	Power Dissipation total $\pm 15\%$ [W]	Max. leakage current @480v/60hz		Temperature Rise °C	Temperature Range °C	Fig
						In3-phase system [mA]	Worst Case [mA]			
HUA-9010-I308	3×8	480	1.5×In 1 min. per hour	57	3.648	≤ 18	≤ 30	≤ 30	-25~+85	A
HUA-9010-I312	3×12			25	3.312		≤ 30	≤ 30	-25~+85	A
HUA-9010-I316	3×16			21	4.864		≤ 30	≤ 30	-25~+85	A
HUA-9010-I325	3×25			12	6.25		≤ 30	≤ 30	-25~+85	B
HUA-9010-I336	3×36			9.5	9.72		≤ 30	≤ 30	-25~+85	B
HUA-9020-I350	3×50			6	10		≤ 30	≤ 30	-25~+85	B
HUA-9020-I364	3×64			5.8	15.5648		≤ 30	≤ 30	-25~+85	B
HUA-9020-I380	3×80			5.5	22.4		≤ 30	≤ 30	-25~+85	B
HUA-9020-I3-H110	3×110			2.75	9.075		≤ 30	≤ 30	-25~+85	B
HUA-9020-I3-H125	3×125			2.7	10.9375		≤ 30	≤ 30	-25~+85	B

濾波器/規格&型號&尺寸

TYPE	In @ $\delta a 40^{\circ}C$ 〔A〕	Umax 50/60Hz 〔V〕	Overload Current	Resistance L-L' $\pm 15\%$ 〔m Ω 〕	Power Dissipation total $\pm 15\%$ 〔W〕	Max. leakage current @480v/60hz		Temperature Rise ℃	Temperature Range ℃	Fig
						In3-phase system 〔mA〕	Worst Case 〔mA〕			
HUA-9020-I3-H150	3×150	480	1.2×In 1 min. per hour	1.6	36	≤30	≤50	≤30	-25~+85	B
HUA-9020-I3-H180	3×180			1.37	44.388		≤50	≤30	-25~+85	B
HUA-9020-I3-H200	3×200			1.35	54		≤50	≤30	-25~+85	B
HUA-9020-I3-H250	3×250			0.44	27.5		≤50	≤30	-25~+85	C
HUA-9020-I3-H300	3×300			0.22	19.8		≤50	≤30	-25~+85	C
HUA-9020-I3-H350	3×350			0.12	14.7		≤50	≤30	-25~+85	D
HUA-9020-I3-H400	3×400			0.12	19.2		≤50	≤30	-25~+85	D
HUA-9020-I3-H450	3×450			0.12	24.3		≤50	≤30	-25~+85	D
HUA-9020-I3-H500	3×500			0.092	23		≤50	≤30	-25~+85	D
HUA-9020-I3-H550	3×550			0.092	27.83		≤50	≤30	-25~+85	D
HUA-9020-I3-H600	3×600			0.092	33.12		≤50	≤30	-25~+85	D
HUA-9020-I3-H650	3×650			0.092	38.87		≤50	≤30	-25~+85	D
HUA-9020-I3-H700	3×700			0.092	45.08		≤50	≤30	-25~+85	D
HUA-9020-I3-H750	3×750			0.092	51.75		≤50	≤30	-25~+85	D
HUA-9020-I3-H800	3×800			0.092	58.88		≤50	≤30	-25~+85	D

Order Types (訂購型號說明)

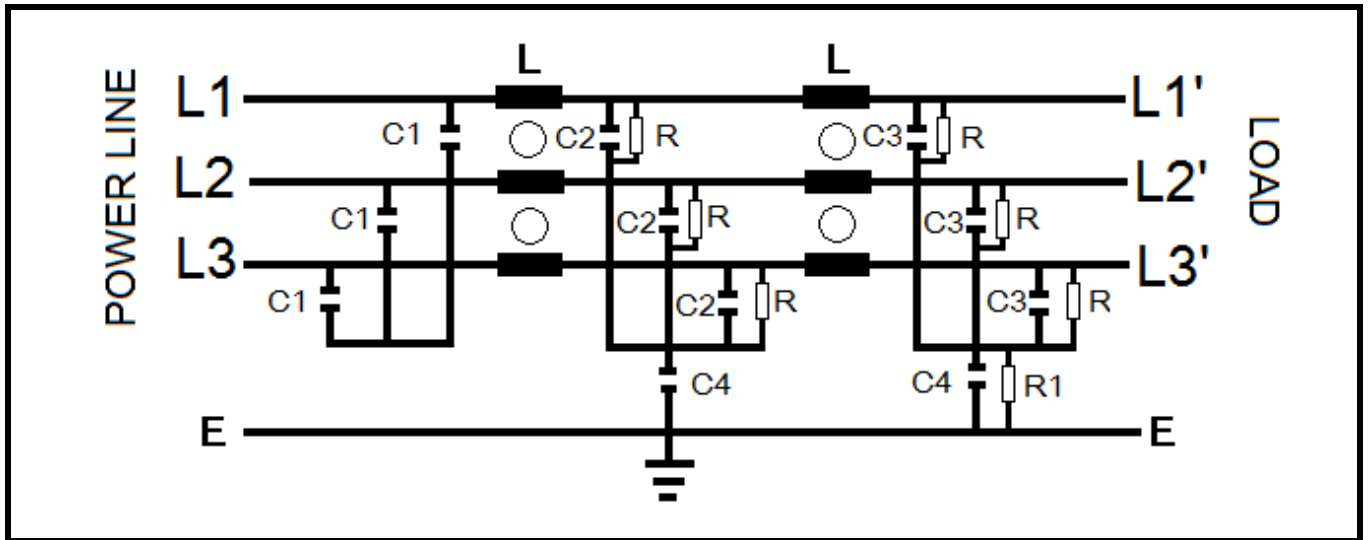


PS:選用濾波器請以變頻器標示全載電流為主要考量

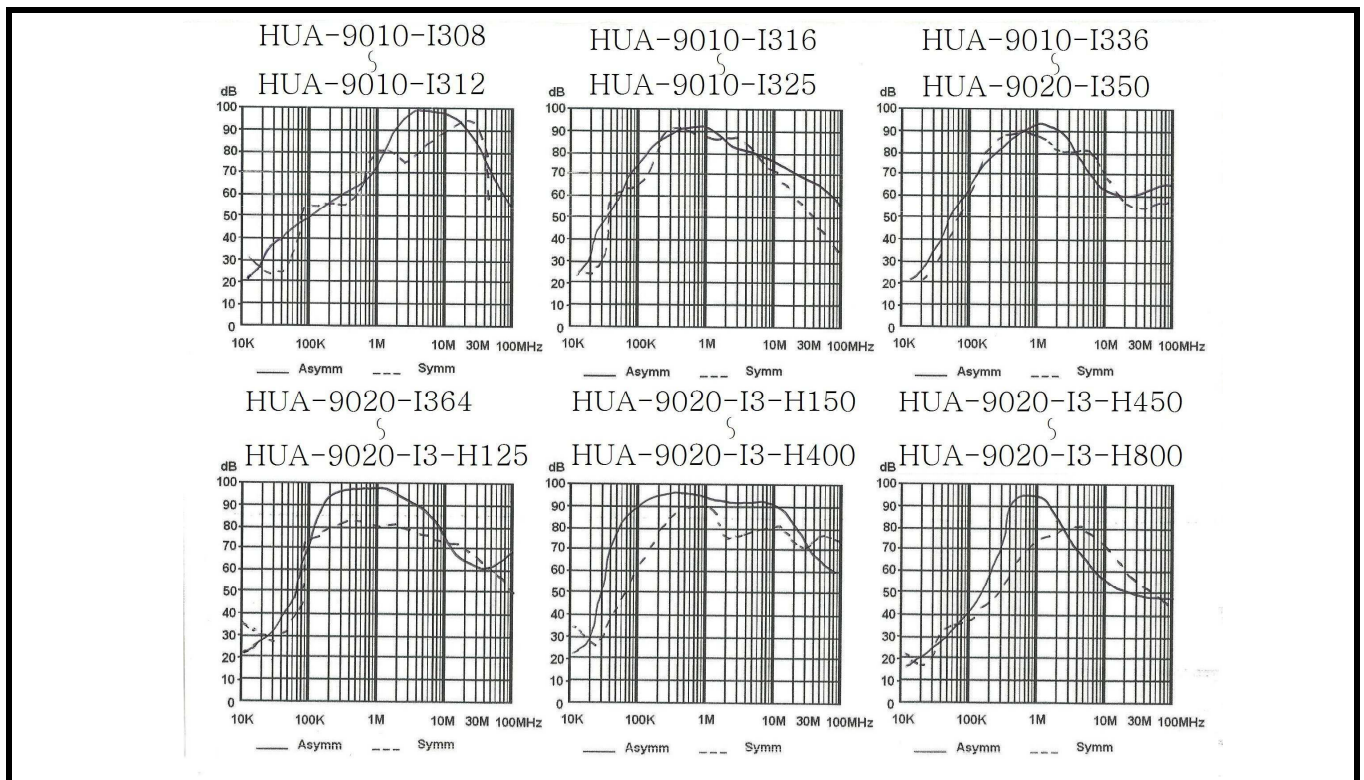
全載電流*1.2~1.5=濾波器安全電流(三相電源請勿除 $\sqrt{3}$ 即可)

變頻器(伺服馬達)馬力 X 746 / 工作電壓 = 工作電流 EX: (INV(HP) X 746(W) / V = A)

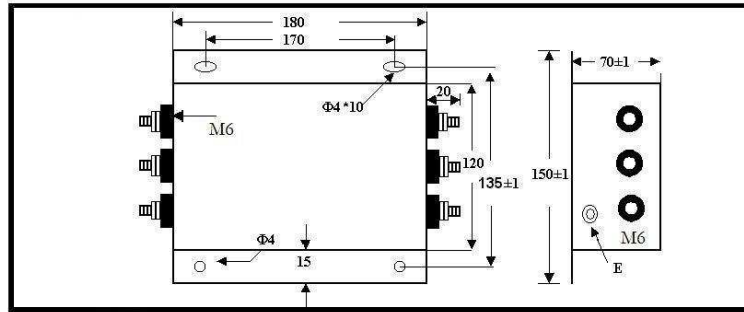
Circuit Diagram (電路圖)



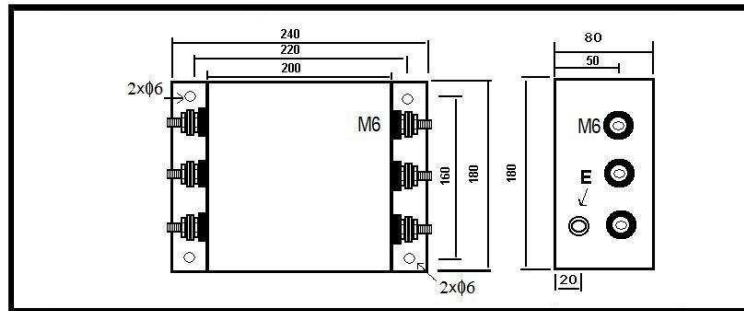
Insertion loss (衰減曲線圖)



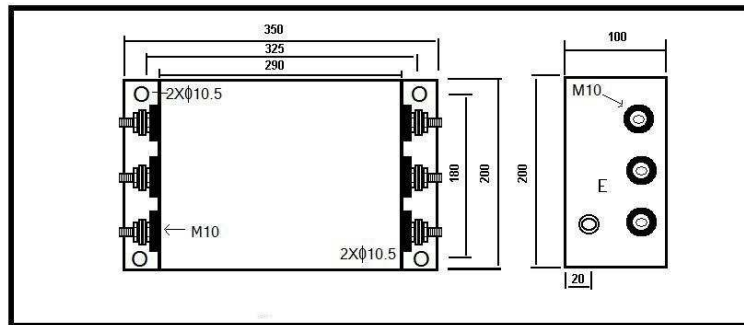
Dimension (外形尺寸圖)



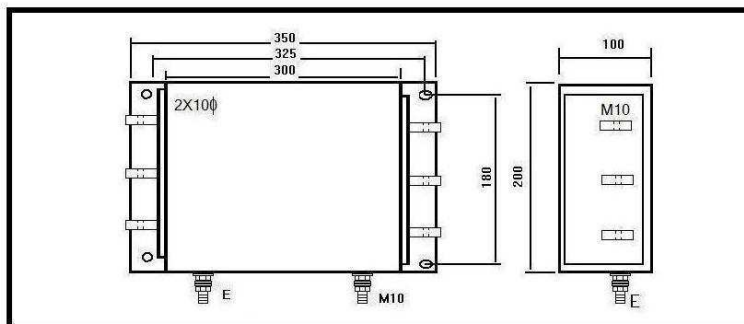
CASE: FIG A 單位:mm



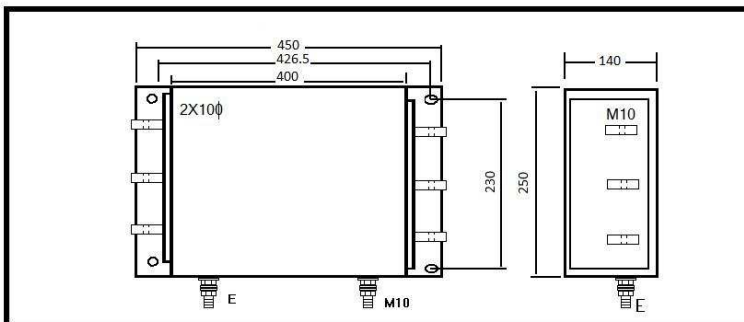
CASE: FIG B 單位:mm



CASE: FIG C 單位:mm



CASE: FIG D 單位:mm



CASE: FIG E 單位:mm