

EMC 日規單相 DC 電源雜訊抑制濾波器

EMC –Power Line Filter for DC systems

HUA Series, all-purpose filters to Protection Class A / ClassB

0~80VDC 0 HZ θ_a 40°C EN55011/CLASS A

CONFORMS
TO IEC 60 950
UL 1283
EN 133200

CE

The DC power filter series comply with EN55011 / ClassA and CISPR22 / ClassB protection standards,

Since the DC power supply is not necessarily always the DC power supply. If the system design is developed to DC power supply, be sure to pay attention to the DC power supply noise present in the environment, as well as various other interference in this series DC power filter which effectively suppress - common mode and differential mode interference interference, especially suitable for use in high power quality requirements for DC power supply output power supply has a good noise filtering effect.

本 DC 系列電源濾波器符合 EN55011/ClassA 及 CISPR22/ ClassB 保護標準，由於直流電源並不一定永遠都是直流電源。如果所開發的系統設計是以直流電源來供電，務必注意直流電源環境中存在的雜訊，以及各種其他干擾產生。本 DC 系列電源濾波器其有效地抑制-差模干擾和共模干擾，特別適合用在對於電源品質要求很高的 DC 電源供應器輸出電源有不錯的雜訊濾除效果。

- Suppression pulse current
- The maximum extent possible to meet the principle of impedance mismatch
- Additional equipment DC voltage interference tolerance
- Can effectively suppress common mode and differential mode interference interference
- Bidirectional filtering - grid power supply, power grid filtering function

- 抑制脈衝電流
- 最大程度地滿足阻抗失配原則
- 增加設備對直流電壓干擾容忍度
- 能有效地抑制差模干擾和共模干擾
- 雙向濾波功能—電網對電源、電源對電網濾波功能

Specification

Test Voltage (1 min) : L to E 1500VAC/2250VDC

L to L 1500VDC

Insulation Resistance : L to E $\geq 3000M\Omega$

L to L $\geq 2000M\Omega$

Current reduction above 40°C

ambient temperature: $I=I_n\sqrt{(85-\theta)/45}$

θ = operating temperature



DC 電源濾波器規格

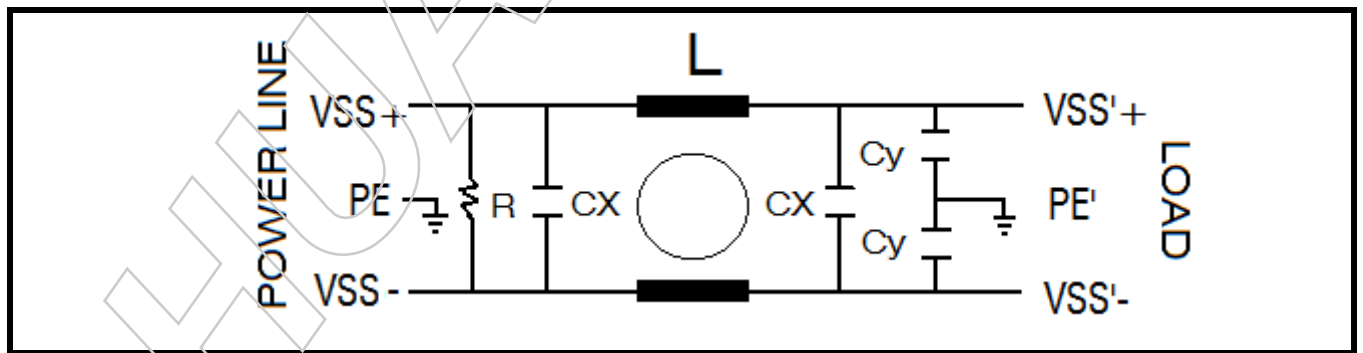
TYPE	In @ $\delta a 40^{\circ}C$ [A]	Umax 0Hz [VDC]	Overload Current	Resistance L-L' $\pm 15\%$ [m Ω]	Power Dissipation total $\pm 15\%$ [W]	Max. leakage current @80v/ 0Hz [mA]	Temperature Rise $^{\circ}C$	Temperature Range $^{\circ}C$	Fig
HUA-9010-DC101-□D-□	1	0 ~ 80	1.2×In 1 min. per hour	24	0.024	≤ 5	≤ 30	-25 ~ +85	A/B
HUA-9010-DC103-□D-□	3			24	0.216		≤ 30	-25 ~ +85	A/B
HUA-9010-DC106-□D-□	6			23	0.828		≤ 30	-25 ~ +85	A/B
HUA-9010-DC110-□D-□	10			14.2	1.42		≤ 30	-25 ~ +85	A/B
HUA-9010-DC120-□D-□	20			5.8	2.32		≤ 30	-25 ~ +85	A/B

Order Types (訂購型號說明)

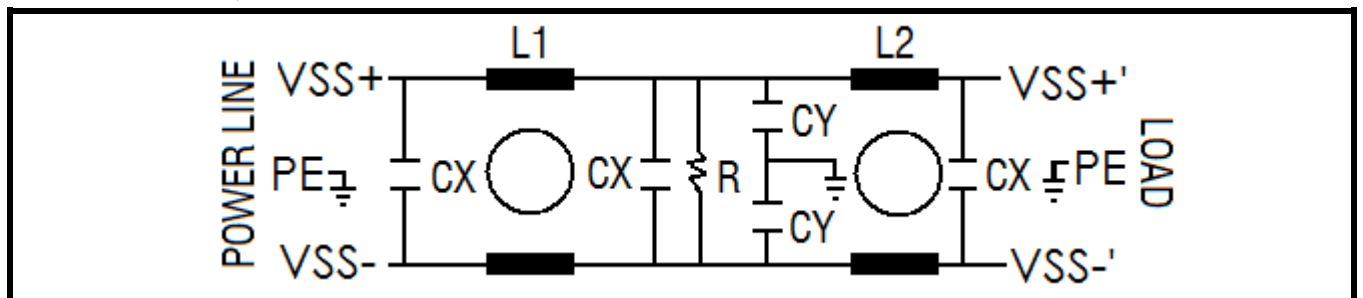
型號:HUA - 9010-DC1□-□D-□



Circuit Diagram(電路圖)

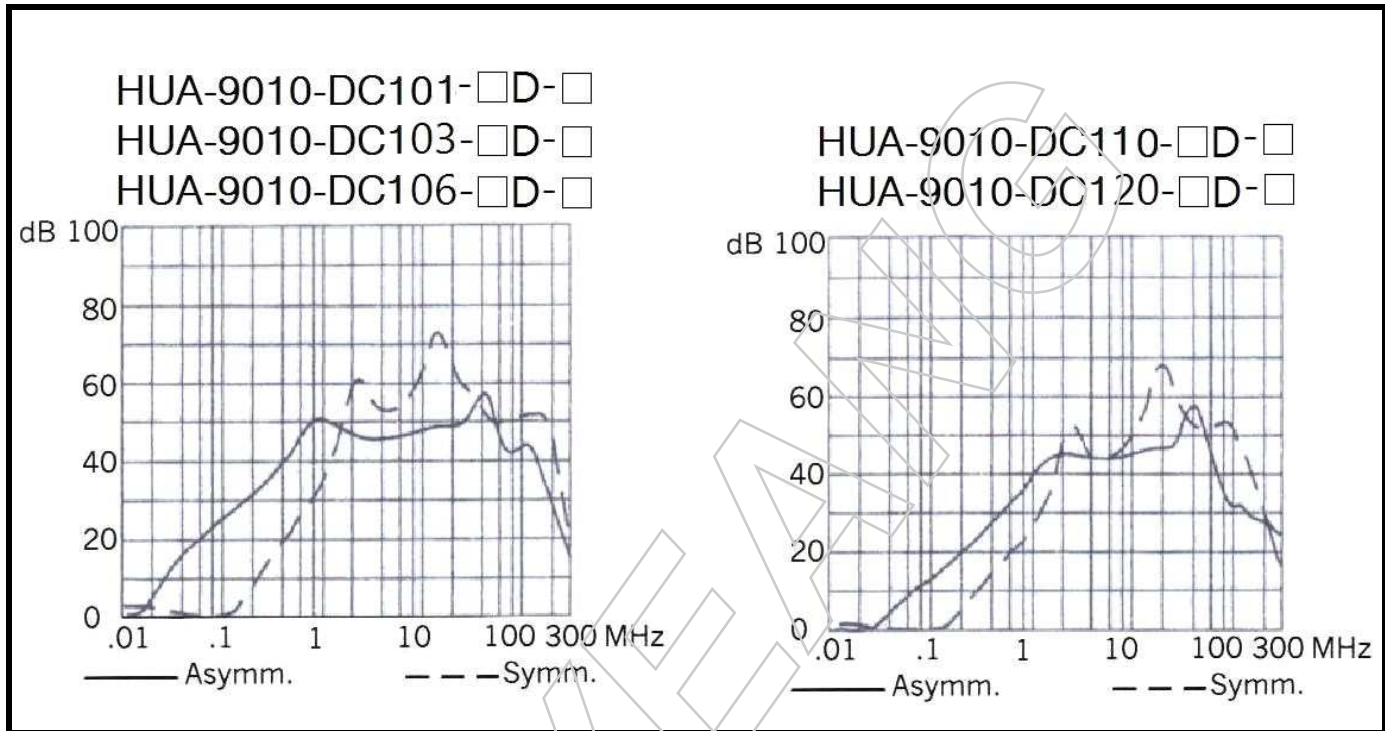


單迴路

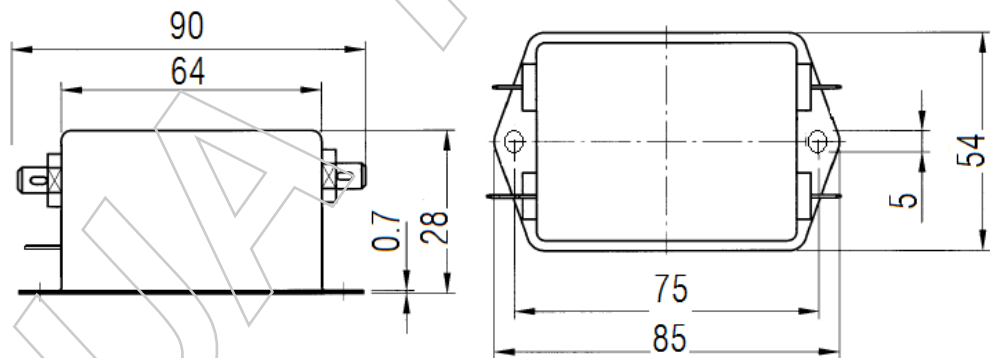


雙迴路

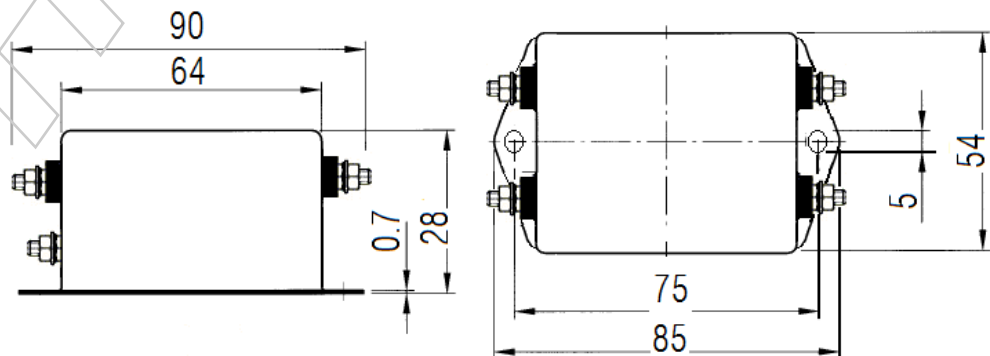
Insertion loss (衰減值)



Dimension(mm) 外殼形式



A 圖



B 圖