

EMC(日規)單相電源雜訊抑制濾波器(單 π 迴路)

EMC –Power Line Filter for 1-phase systems (one-stage)

HUA Series, all-purpose filters to Protection Class I.

0~250VAC 50/60HZ θ_a 40°C EN55011/CLASS A

CE

CONFORMS
TO IEC 60 950
UL 1283
EN 133200

The D1 series power filter directly installed on the printed circuit board. Is usually used to prevent the voltage from the power to interfere, but at the same time, the possible sources of interference jamming equipment has also been weakened. They must be installed on the equipment as close as possible to the power input, and the metal shell provides a good electromagnetic shield. Surge voltage suppression effect is used very well.

本 D1 系列電源濾波器直接安裝在印刷電路板。通常是用來防止從電源來的電壓干擾，但在同一時間，可能產生干擾設備的干擾源也被減弱。他們必須安裝在設備盡可能接近電源輸入端，而且金屬外殼提供了一個良好的電磁屏蔽，用於突波電壓抑制效果非常良好。

Specification

Test Voltage (1 min) :L to E 1500VAC/2250VDC

L to L 1500VDC

Insulation Resistance : L to E $\geq 3000M\Omega$

L to L $\geq 2000M\Omega$

Current reduction above 40°C

ambient temperature: $I=I_n \sqrt{(85-\theta)/45}$ θ = operating temperature



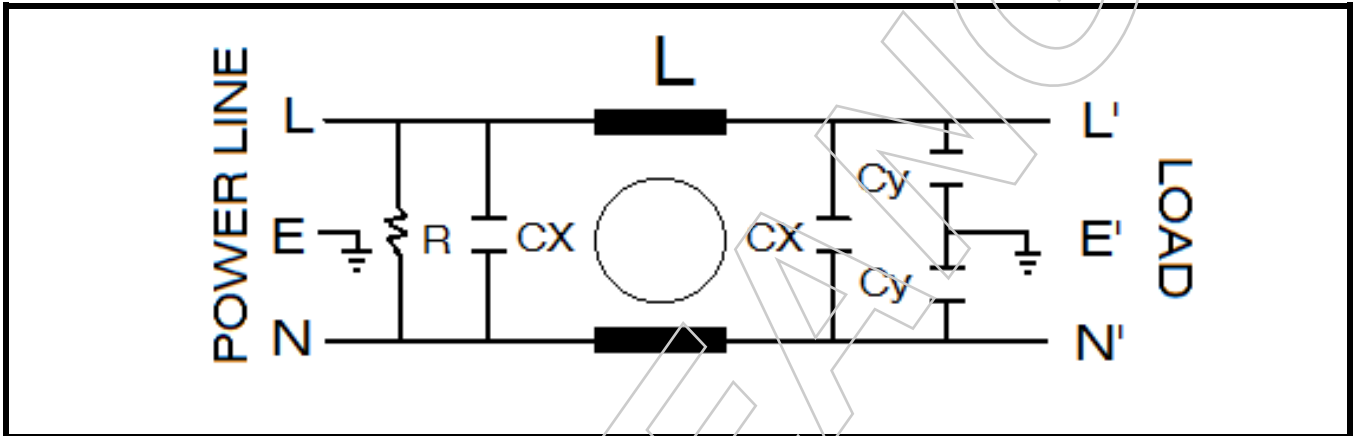
TYPE	I_n @ $\delta a 40^\circ C$ [A]	U_{max} 50/60Hz [v]	Overload Current [1 min. per hour]	Resistance L-L' $\pm 15\%$ [m Ω]	Power Dissipation total $\pm 15\%$ [W]	Max. leakage current @250v/60hz [mA]	Temperature Rise °C	Temperature Range °C
HUA-9010-D101- <input type="checkbox"/>	1	0~250	1.5 $\times I_n$	25	0.025	≤ 5	≤ 30	-25~+85
HUA-9010-D103- <input type="checkbox"/>	3			24	0.216		≤ 30	-25~+85
HUA-9010-D106- <input type="checkbox"/>	6			23	0.828		≤ 30	-25~+85
HUA-9010-D110- <input type="checkbox"/>	10			14.2	1.42		≤ 30	-25~+85
HUA-9010-D120- <input type="checkbox"/>	20			5.8	2.925		≤ 30	-25~+85
HUA-9010-D130- S	30		1.2 $\times I_n$	4.8	2.32		≤ 30	-25~+85

Order Types (訂購型號說明)

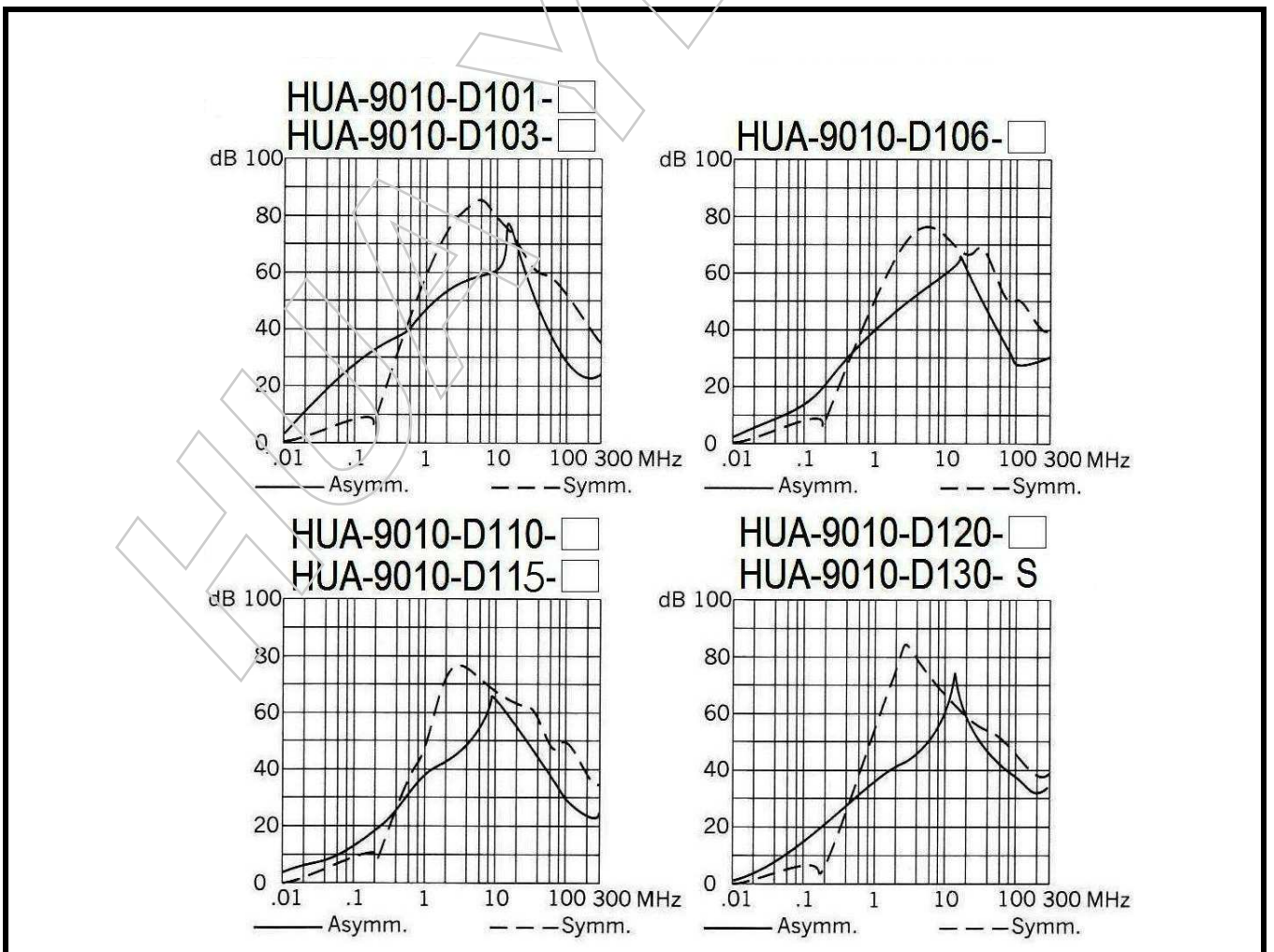
型號:HUA - 9010-D1□- □

- 表示外殼形式
- 01: 表示 1A 額定電流
- 30: 表示 30A 額定電流

Circuit Diagram(電路圖)

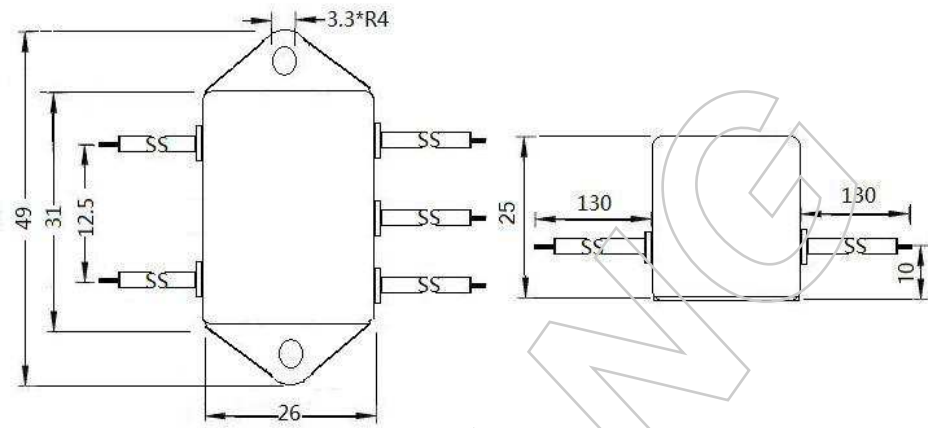


Insertion loss (衰減值)

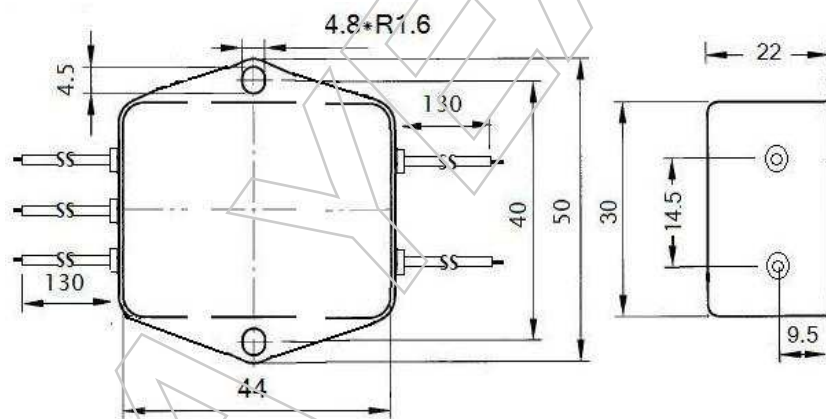


Dimension(mm) 外殼形式

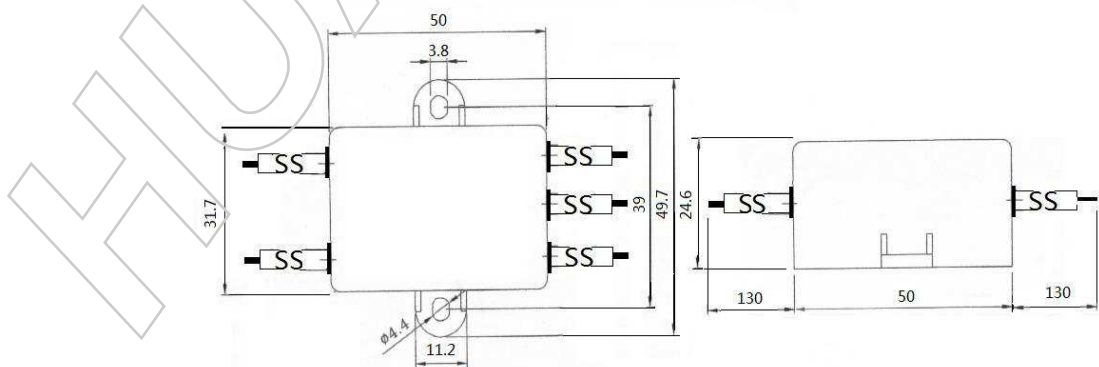
LB1



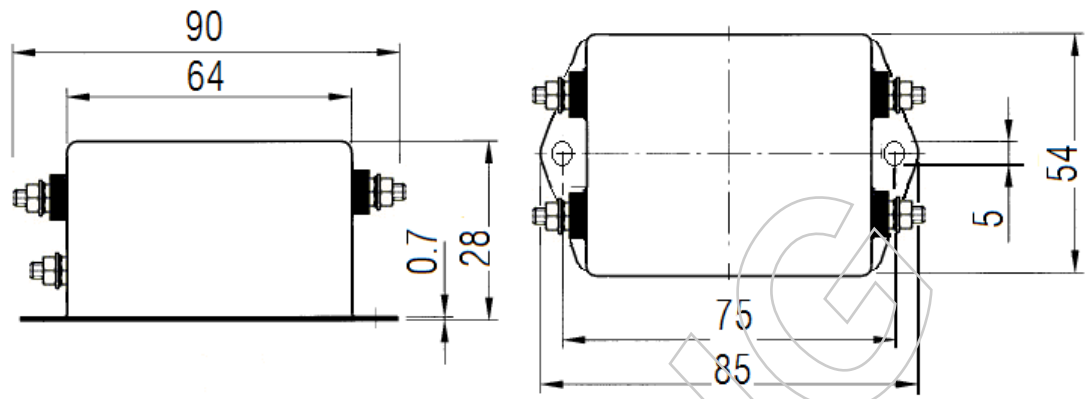
LB2



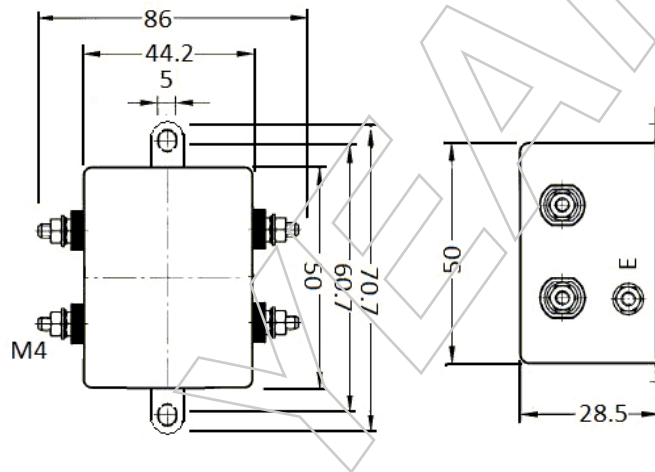
LE



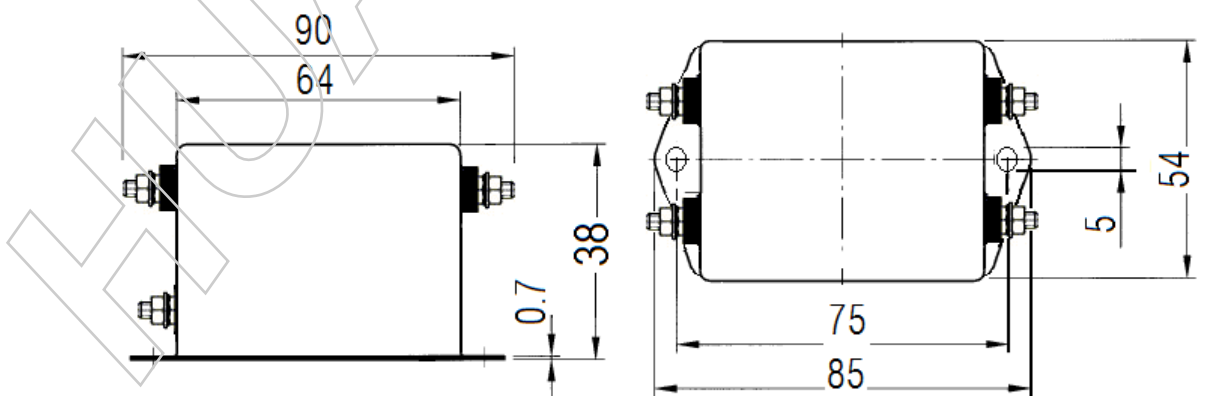
S



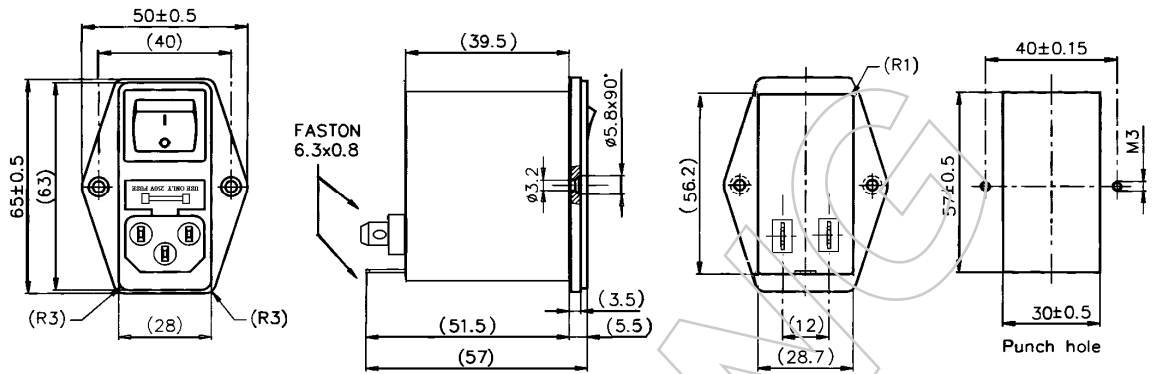
SC1



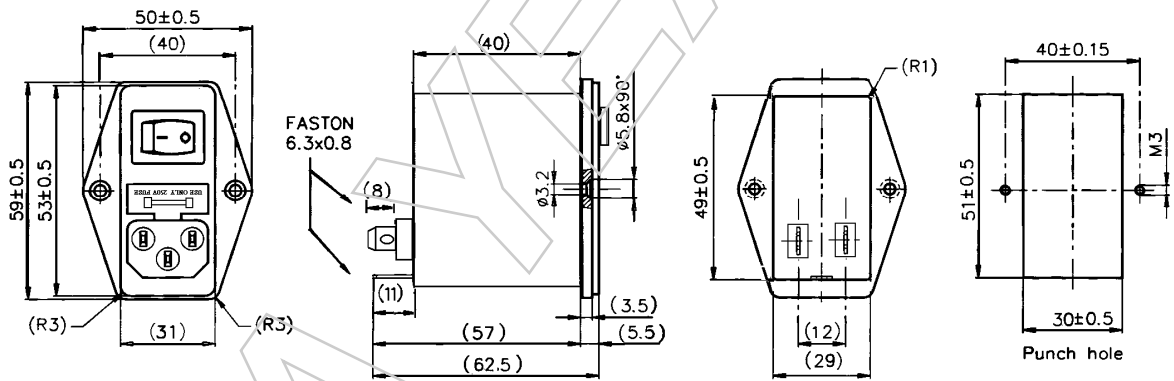
SH



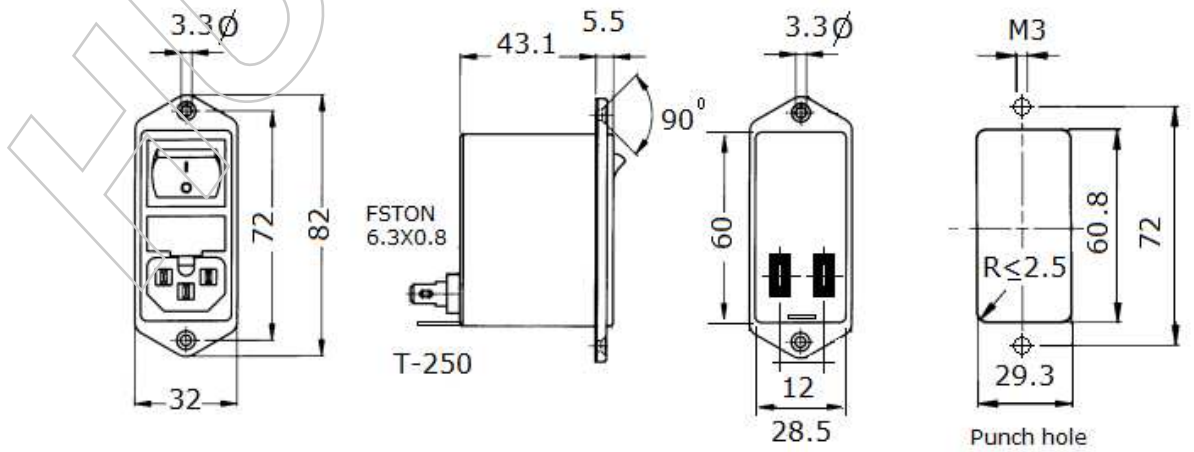
SFP



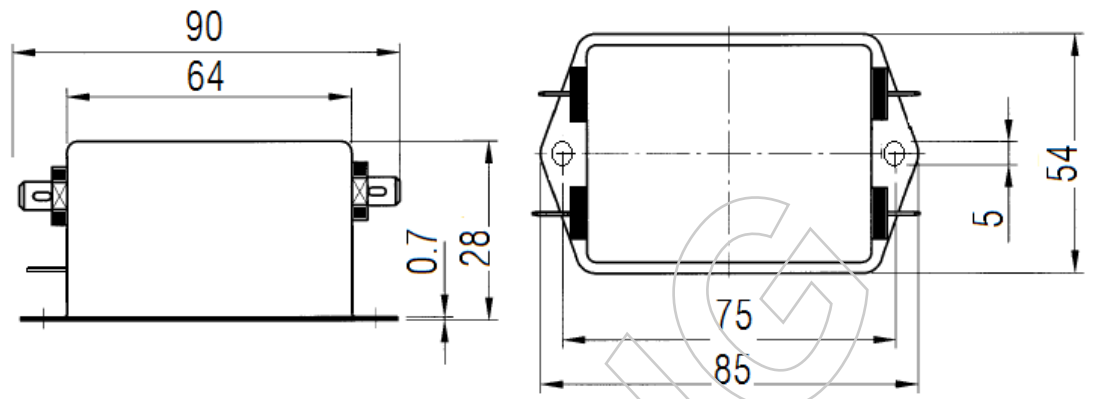
SFP-A



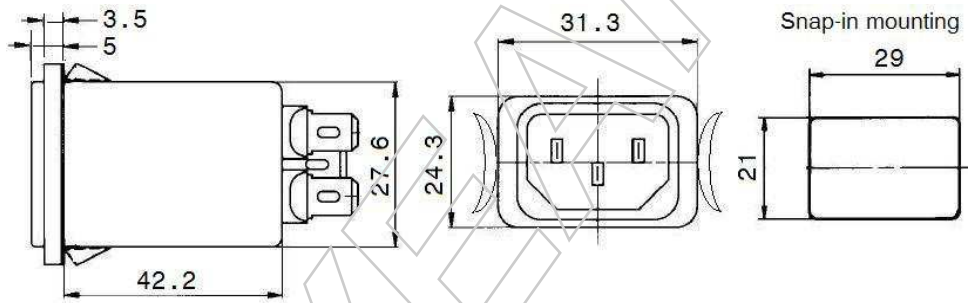
SFP-B



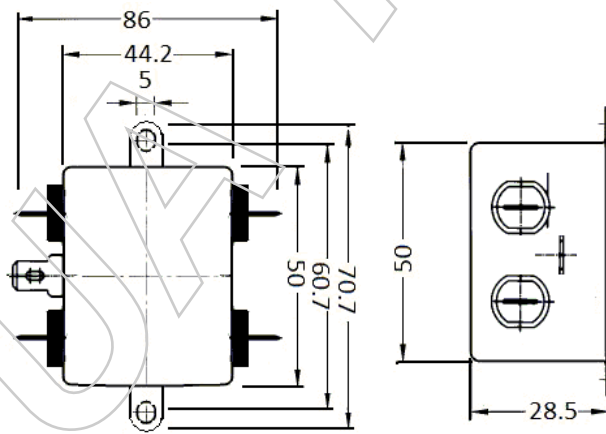
T



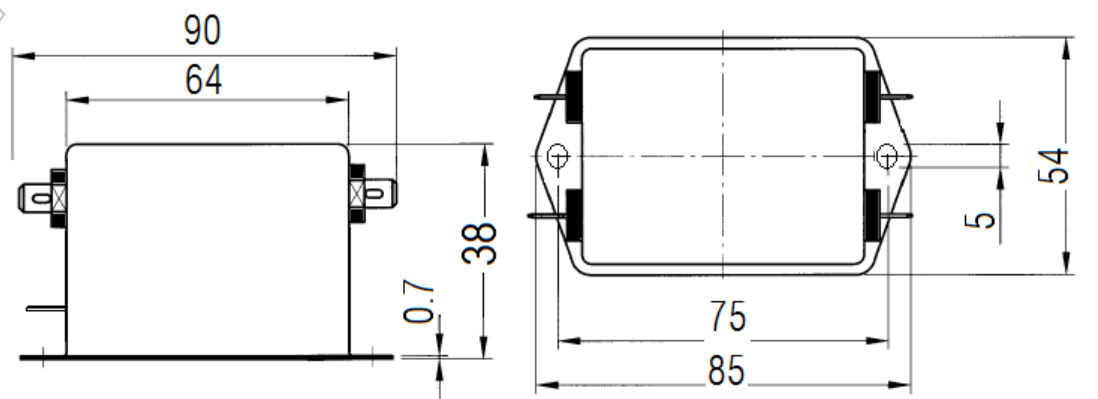
TC



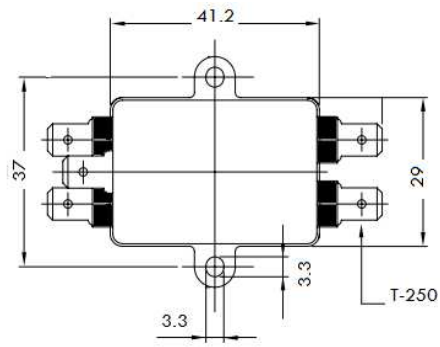
TC1



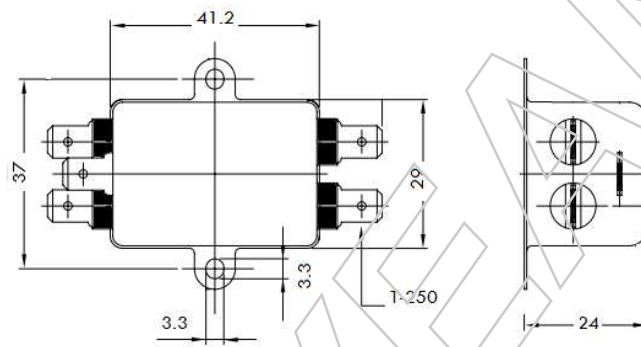
TH



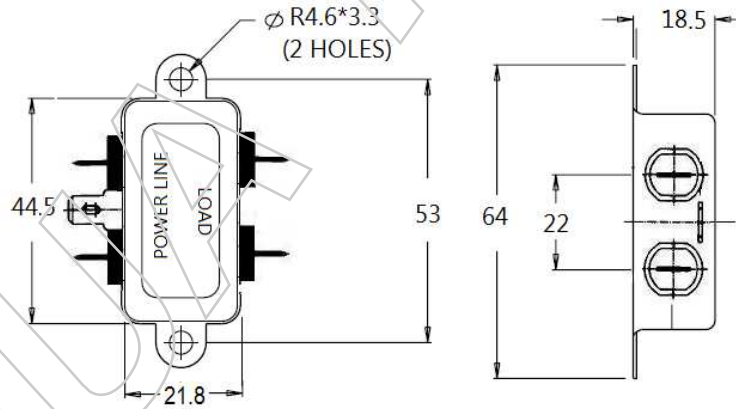
T4



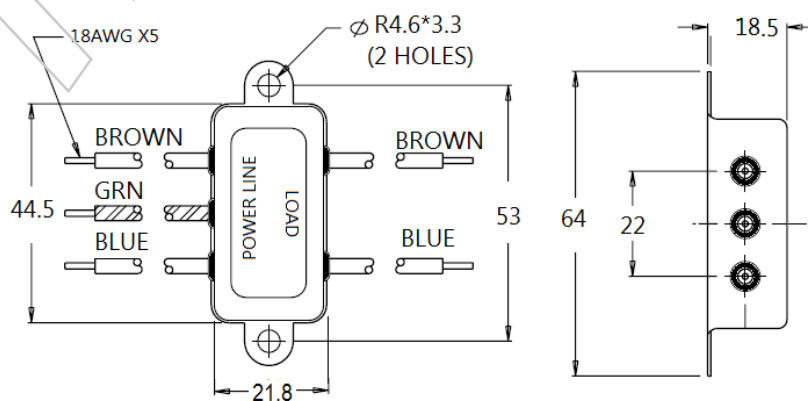
T1B4



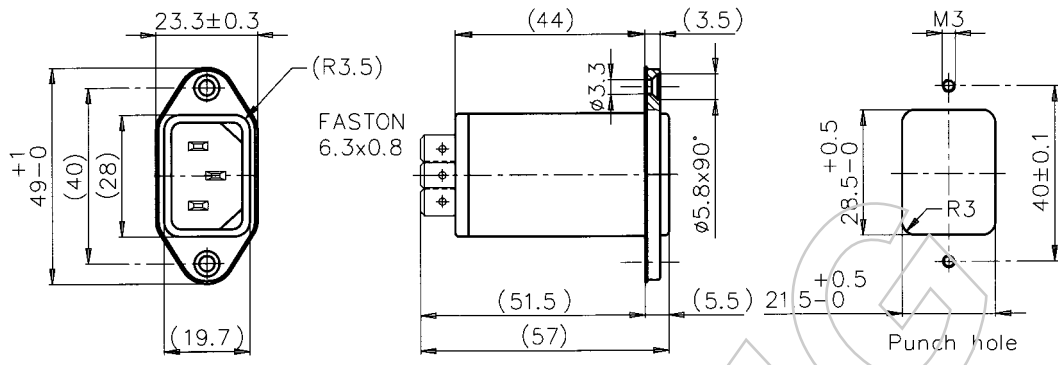
T1B5



T1B5L



T1D



ZCB

