

EMC 單相電源雜訊抑制濾波器(雙π迴路)

EMC –Power Line Filter for 1-phase systems (two-stage)

HUA Series, all-purpose filters to Protection Class I.

0~250VAC 50/60HZ θ_a 40°C EN55011/CLASS A

CE

CONFORMS
TO IEC 60 950
UL 1283
EN 133200

The L series power filter for high requirements, to Protection EN55022/Class B
These 2-stage filters due to their high symmetrical attenuation loss , are specifically suitable for use in switching power supplies.

本 L 系列電源濾波器符合 EN55022/Class B 保護

本雙極電源濾波器由於其高對稱衰減損失，特別適合用於開關電源供應器。

Specification

Test Voltage (1 min) :L to E 1500VAC/2250VDC

L to L 1500VDC

Insulation Resistance : L to E $\geq 3000M\Omega$

L to L $\geq 2000M\Omega$

Current reduction above 40°C

ambient temperature: $I=I_n\sqrt{(85-\theta)/45}$ θ = operating temperature



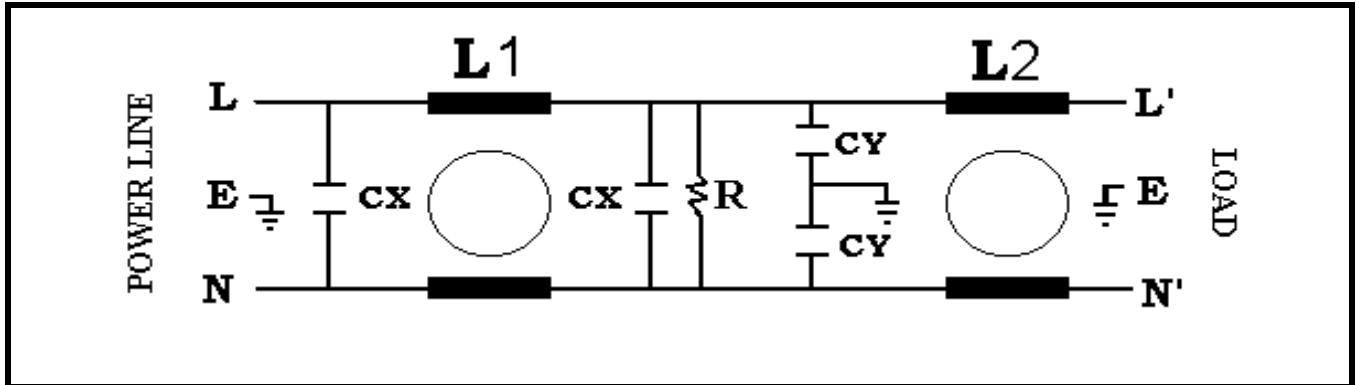
TYPE	In @ δ_a 40°C [A]	Umax 50/60Hz [v]	Overload Current	Resistance L-L' ±15% [mΩ]	Power Dissipation total±15% [W]	Max. leakage current @250v/60hz [mA]	Temperature Rise °C	Temperature Range °C
HUA-9010-L103- <input type="checkbox"/>	3	0~250	1.5×In 1 min. per hour	28	0.252	≤ 5	≤ 30	-25~+85
HUA-9010-L106- <input type="checkbox"/>	6			23	0.828		≤ 30	-25~+85
HUA-9010-L110- <input type="checkbox"/>	10			14.2	1.42		≤ 30	-25~+85
HUA-9010-L115- <input type="checkbox"/>	15			13	2.925		≤ 30	-25~+85
HUA-9010-L120- <input type="checkbox"/>	20			12	4.8		≤ 30	-25~+85
HUA-9010-L130- <input type="checkbox"/>	30			11	9.9		≤ 30	-25~+85

Order Types (訂購型號說明)

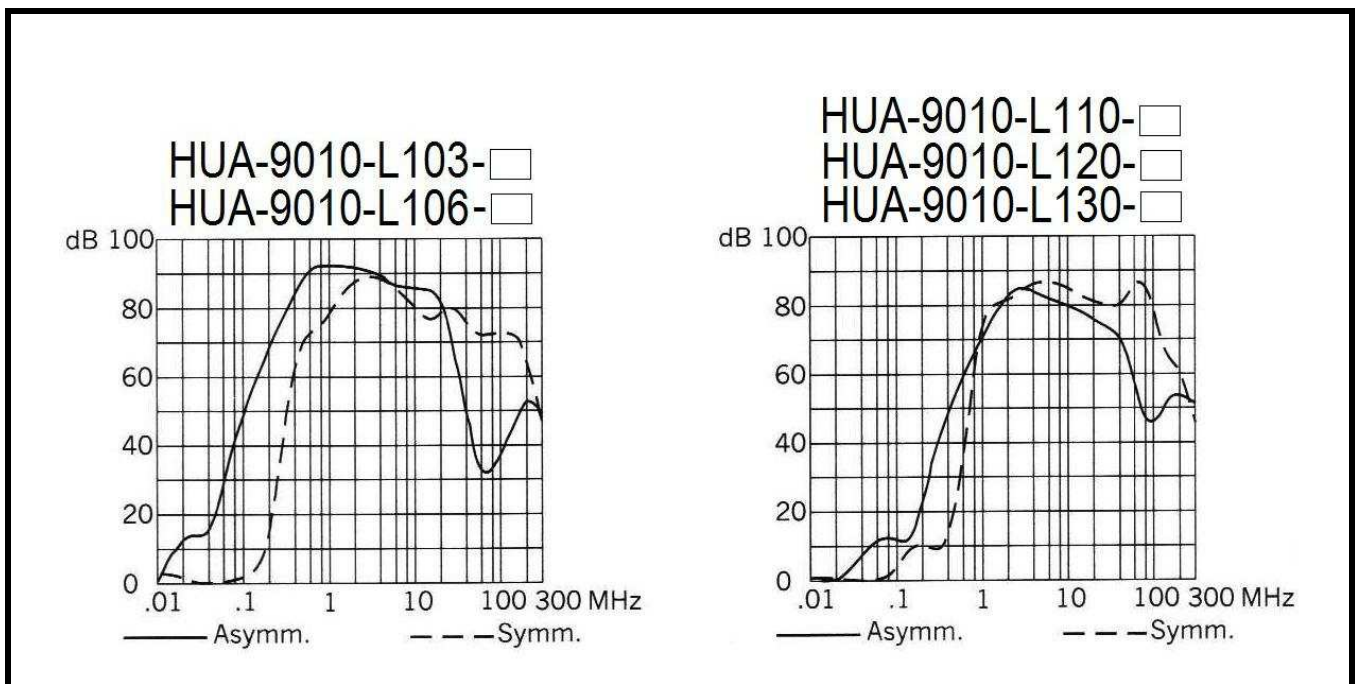
型號:HUA - 9010-L1□- □

- 表示外殼形式
- 03:表示 3A 額定電流
- 10:表示 10A 額定電流
- 20:表示 20A 額定電流

Circuit Diagram(電路圖)

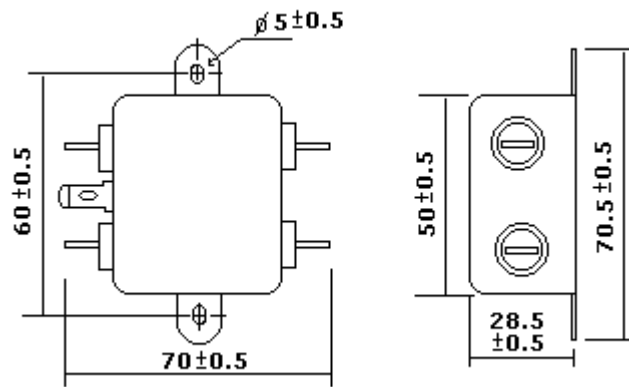


Insertion loss (衰減值)

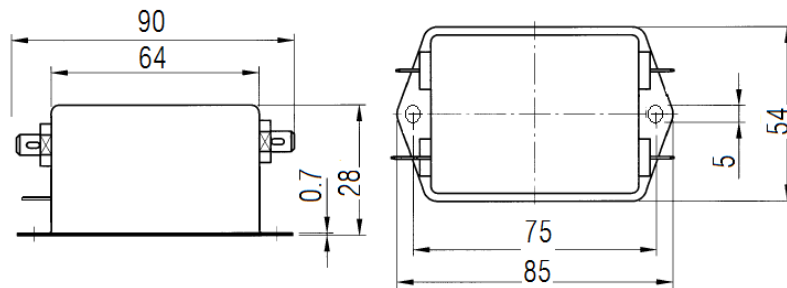


Dimension(mm) 外殼形式

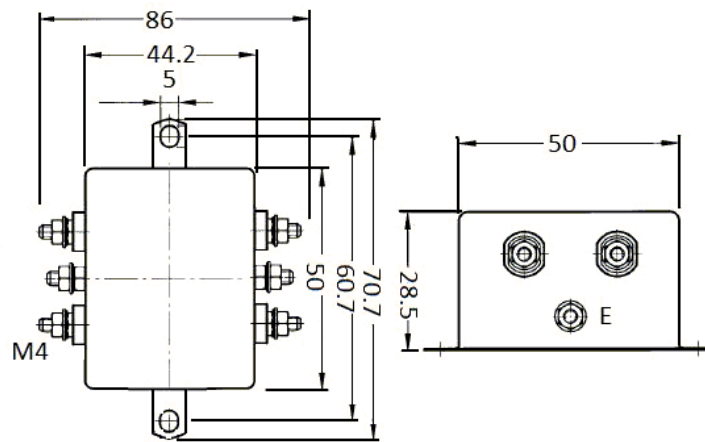
TC1



T



SC1



S

