

**EMC (歐規)高性能/高電流 DC 發電機濾波器 (單  $\pi$  迴路)****High-performance / high-current DC generator filter EURO (one-stage)**

**HUA Series, all-purpose filters to Protection Class 1**  
**0~250VAC 50/60HZ  $\theta$  a 40°C EN55011 Class A / EN55022 Class B**

**CE**

CONFORMS
TO IEC 60 950
UL 1283
EN 133200

This series DC generator in filter meets EN55011 Class A / EN55022 Class B protection, with excellent common mode and differential mode noise attenuation performance for most cars power supply, can be used to suppress interference pulses, continuous or intermittent interference interference. The generator filter removes noise car stereo pair of friends, or other high-frequency noise and clutter, so you can relax listening to all kinds of wonderful music. Reduce vehicle generator to charge the battery when the impact of the current impact of the car to protect the safety of all electrical equipment, avoid high-level appliances burning car., Low price is that it features.

本系列發直流電機濾波器符合 EN55011 Class A / EN55022 Class B 保護,具有優良的共模和差模干擾衰減性能,適用於大多數汽車電源,可用來抑制脈衝干擾,連續性干擾或間歇性干擾. 本系列發電機濾波器可消除汽車音響喇叭雜音,或是其他的高低頻雜波噪音,讓你可放鬆聆聽各類美妙音樂.降低車用發電機對電池充電時所造成衝擊電流影響保護車上所有用電設備安全,避免車用高級電器燒毀. ,價格低廉是它的特點.

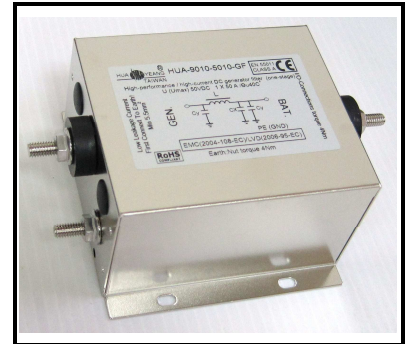
**SPECIFICATION**

**Test Voltage (1 min) :L to E 1500VAC/2250VDC**  
**L to L 1500VDC**

**Insulation Resistance : L to E  $\geq 3000M\Omega$**   
**L to L  $\geq 2000M\Omega$**

**Current reduction above 40°C ambient temperature:  $I=I_n\sqrt{(85-\theta)/45}$**

**$\theta$  = operating temperature**



TYPE	In @ $\delta a 40^{\circ}C$ [ A ]	Umax 0Hz [ VDC ]	Overload Current	Resistance L-L' $\pm 15\%$ [ m $\Omega$ ]	Power Dissipation total $\pm 15\%$ [ W ]	Temperature Rise $^{\circ}C$	Temperature Range $^{\circ}C$	Fig
HUA-9010-1010-GF	1×10	50	1.5×In 1 min. per hour	10	1	$\leq 30$	-25~+85	A
HUA-9010-2010-GF	1×20			4.3	1.72	$\leq 30$	-25~+85	A
HUA-9010-3010-GF	1×30			3.1	2.79	$\leq 30$	-25~+85	A
HUA-9010-5010-GF	1×50			1.3	3.25	$\leq 30$	-25~+85	B
HUA-9010-6010-GF	1×60			1	3.6	$\leq 30$	-25~+85	B
HUA-9010-8010-GF	1×80			0.8	5.12	$\leq 30$	-25~+85	C
HUA-9010-H100-GF	1×100			0.75	7.5	$\leq 30$	-25~+85	C
HUA-9010-H125-GF	1×125			0.7	10.9375	$\leq 30$	-25~+85	D
HUA-9010-H150-GF	1×150			0.6	13.5	$\leq 30$	-25~+85	D
HUA-9010-H175-GF	1×175			0.39	11.94375	$\leq 30$	-25~+85	D
HUA-9010-H200-GF	1×200			0.35	14	$\leq 30$	-25~+85	D
HUA-9010-H225-GF	1×225			0.3	15.1875	$\leq 30$	-25~+85	E
HUA-9010-H250-GF	1×250			0.22	13.75	$\leq 30$	-25~+85	E
HUA-9010-H275-GF	1×275			0.15	11.34375	$\leq 30$	-25~+85	E
HUA-9010-H300-GF	1×300			0.11	9.9	$\leq 30$	-25~+85	E

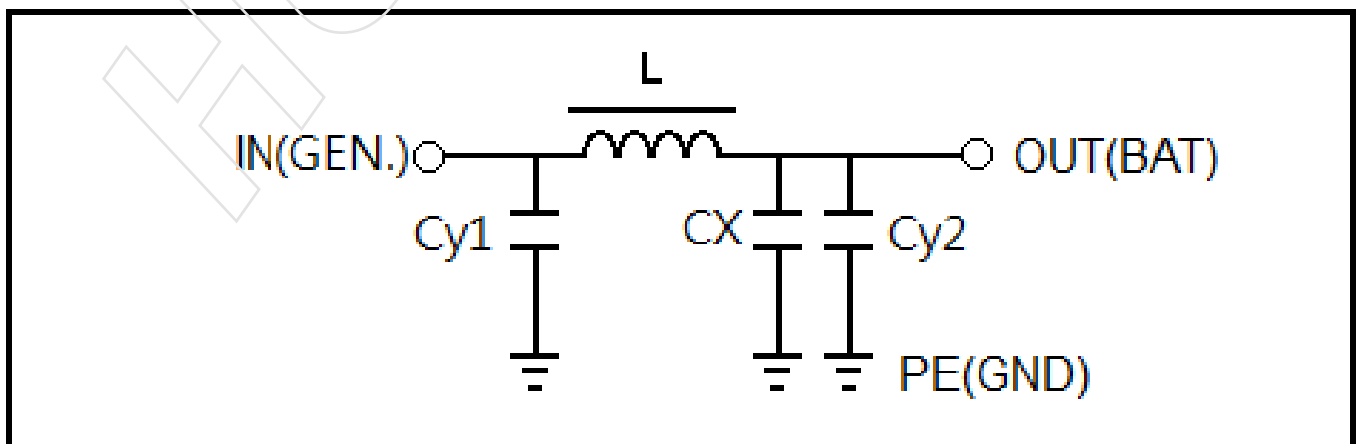
### Order Types (訂購型號說明)

型號:HUA - 9010-  -GF

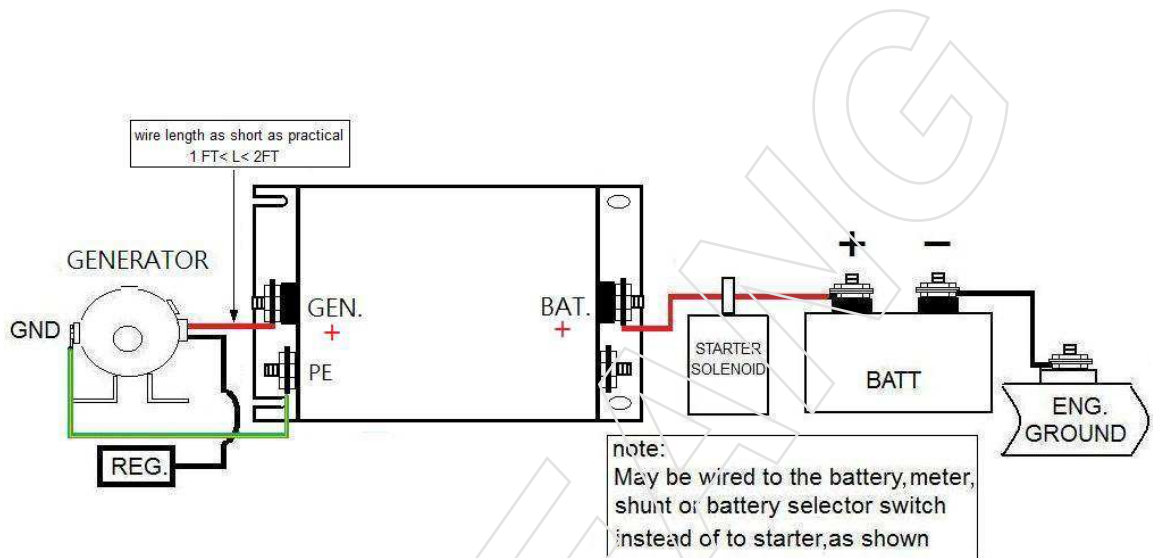
10:表示 10A 額定電流

H100:表示 100A 額定電流

### Circuit Diagram(電路圖)



## 接線示意圖

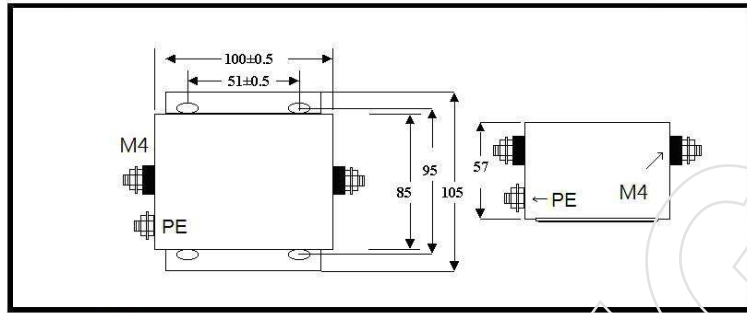


## 產品介紹：

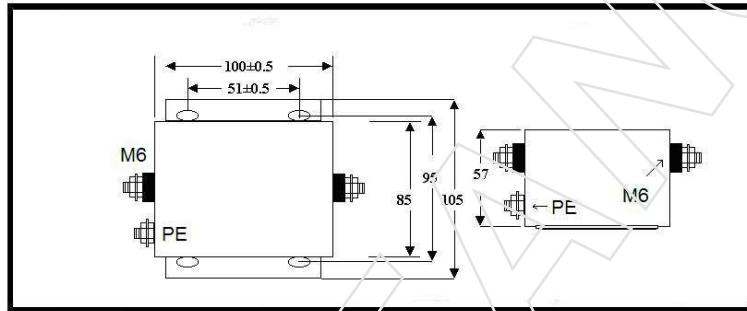
DC 發電機濾波器可消除汽車音響喇叭雜音，或是其他的高低頻雜波噪音，讓你可放鬆聆聽各類美妙音樂。降低車用發電機對電池充電時所造成衝擊電流影響保護車上所有用電設備安全，避免車用高級電器用品燒毀。

您的汽車一般在加了軍/民用無線電或音響功率放大器或低音炮的情況下，安裝完之後伴隨加油時同時存在的雜音，而且加油越大，雜音越大，這種情況就可以加電源濾波器試試。

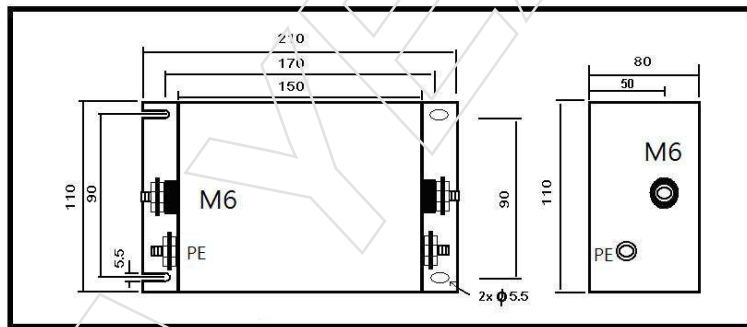
Dimension(mm) 外殼形式



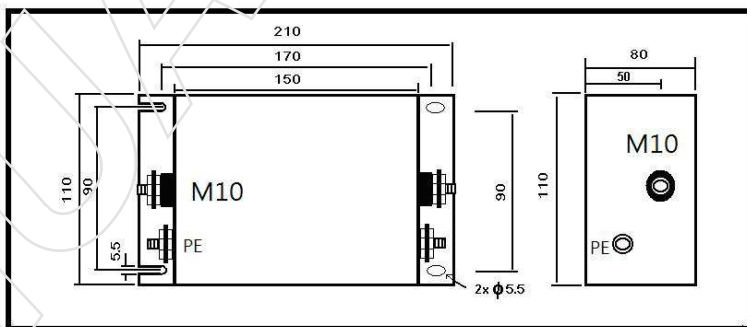
CASE: FIG A 單位:mm



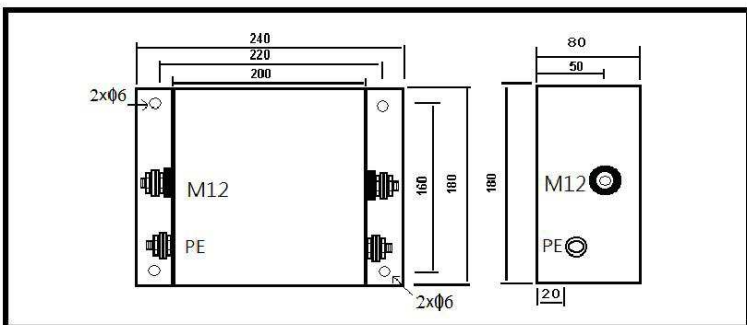
CASE: FIG B 單位:mm



CASE: FIG C 單位:mm



CASE: FIG D 單位:mm



CASE: FIG E 單位:mm